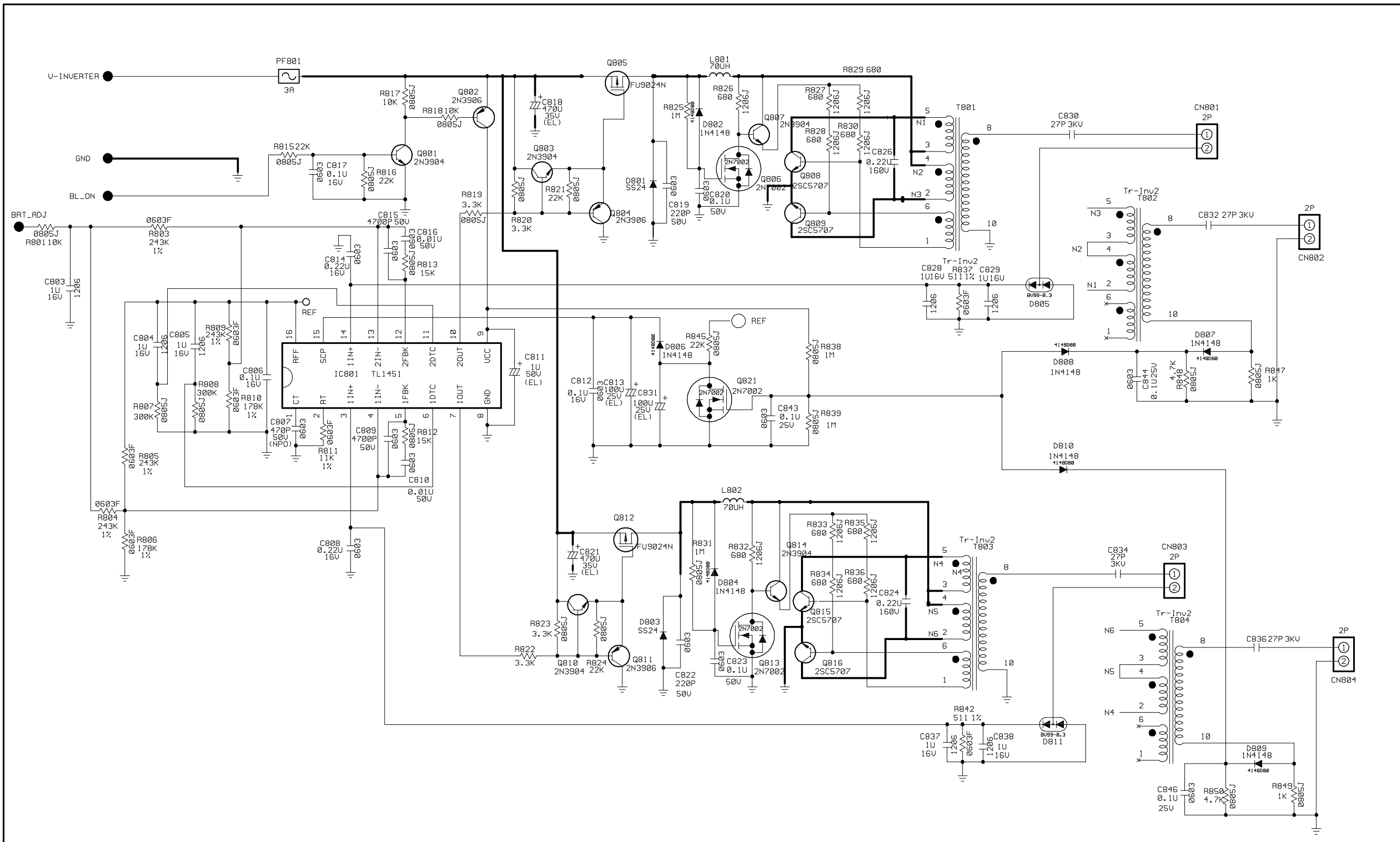


NOTES: 1. Resistor values are in ohm, K=1,000 ohm, M=1,000,000 ohm
 2. All resistors are 1/8 watt, 5% except where otherwise indicated
 3. $\text{---} \text{---} \text{---}$ $\text{---} \text{---} \text{---}$ $\text{---} \text{---} \text{---}$ Represents PCB common ground.

BenQ

Q7C4 POWER BOARD SCHEMATICS

SIZE A4	L0Y02A01.SCH	Project Code. 99.L0Y72.001	REV. 4
DATE : 9/29/2004		Sheet 1 OF 2	
Doc.No. 99.L0Y72.000-C3-304-001			
Prepared By ANGEL HU 9/29/2004	Reviewed By GEORGE SHEU 9/29/2004	Approved By H.J. WONG 9/29/2004	



NOTES: 1. Resistor values are in ohm, K=1,000 ohm, M=1,000,000 ohm
 2. All resistors are 1/8 watt, 5% except where otherwise indicated
 3. ∇ ∇ ∇ Represents PCB common ground.

BenQ			
Q7C4 POWER BOARD		SCHEMATICS	
SIZE A4	L0Y02A01.SCH	Project Code. 99.L0Y72.001	REV. 4
DATE : 9/29/2004	Sheet 2 OF 2		
Doc.No. 99.L0Y72.000-C3-304-001			
Prepared By ANGEL HU 9/29/2004	Reviewed By GEORGE SHEU 9/29/2004	Approved By H.J. WONG 9/29/2004	