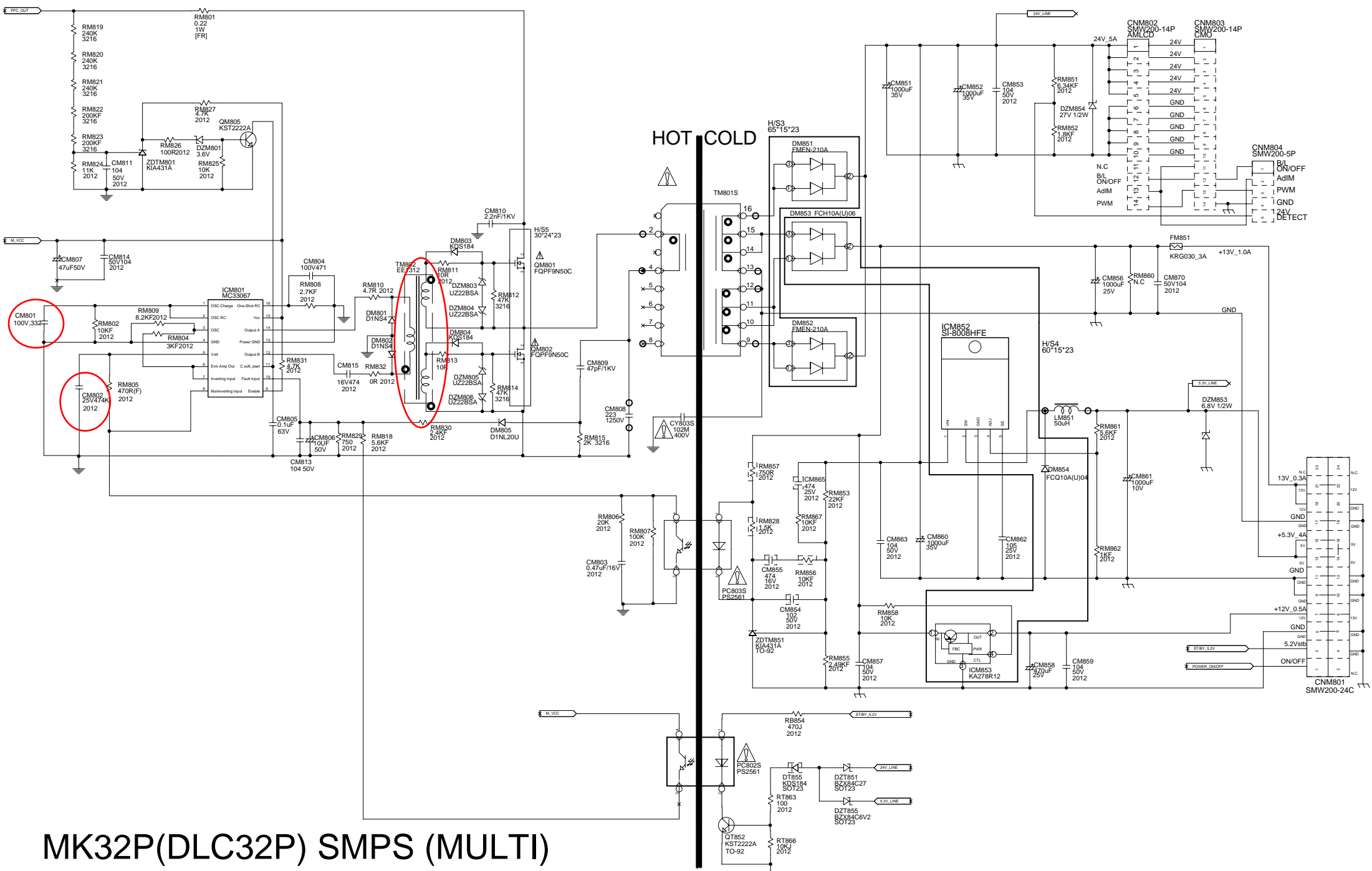


MK32P(DLC32P) SMPS(PFC,S/B)

DONGYANG E&P INC.

Title		Rev.		Date		Time	
Size	No.	Rev.	Rev.	Time	Time	Time	Time
FILE	TITLE	DATE	TITLE	DATE	TITLE	DATE	TITLE



MK32P(DLC32P) SMPS (MULTI)

DONGYANG E&P INC.

File	Rev.	Date	Drawn	Checked	Approved
MK32P_MAL1					
Size	No.	Rev.	Date	Drawn	Checked
FILE	TITLE	DATE	TIME	TITLE	TITLE OF TITLE