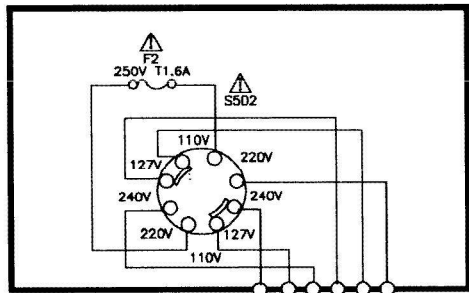
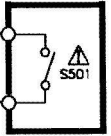


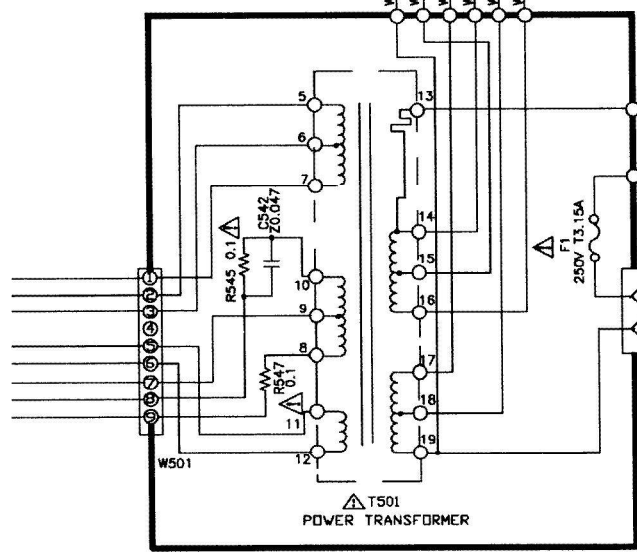
**R VOLTAGE SELECTOR CIRCUIT FOR GC area**



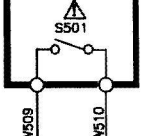
**S POWER SWITCH CIRCUIT**



**L TRANSFORMER CIRCUIT FOR GC area**



**S POWER SWITCH CIRCUIT**



**L TRANSFORMER CIRCUIT FOR GN area**

