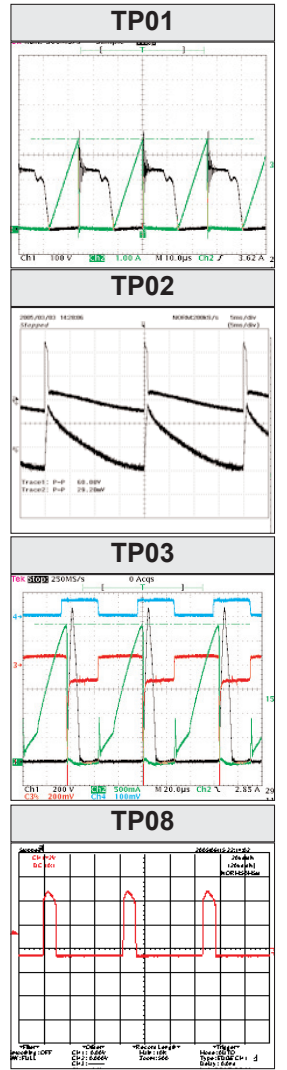
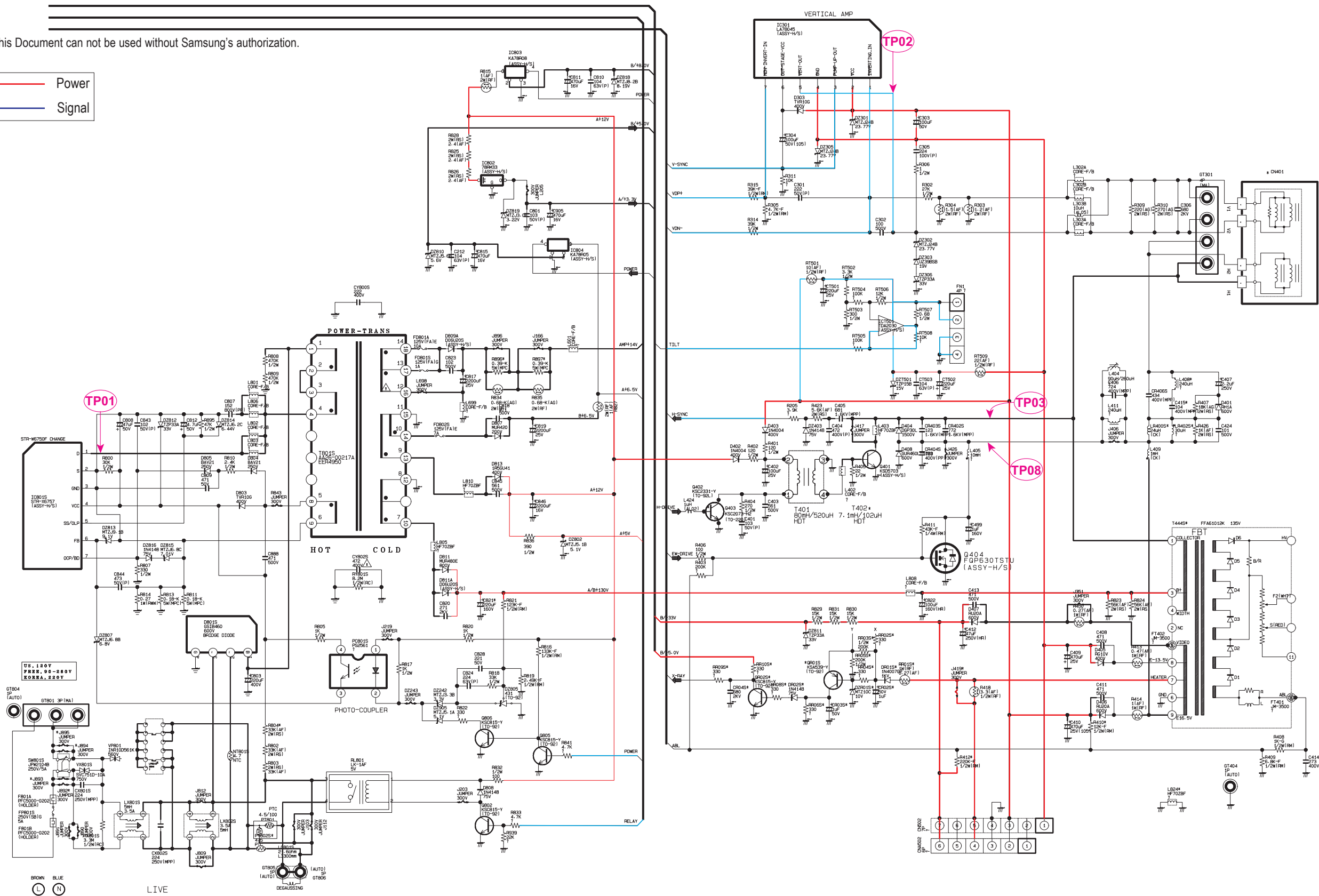
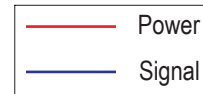


10. Schematic Diagram

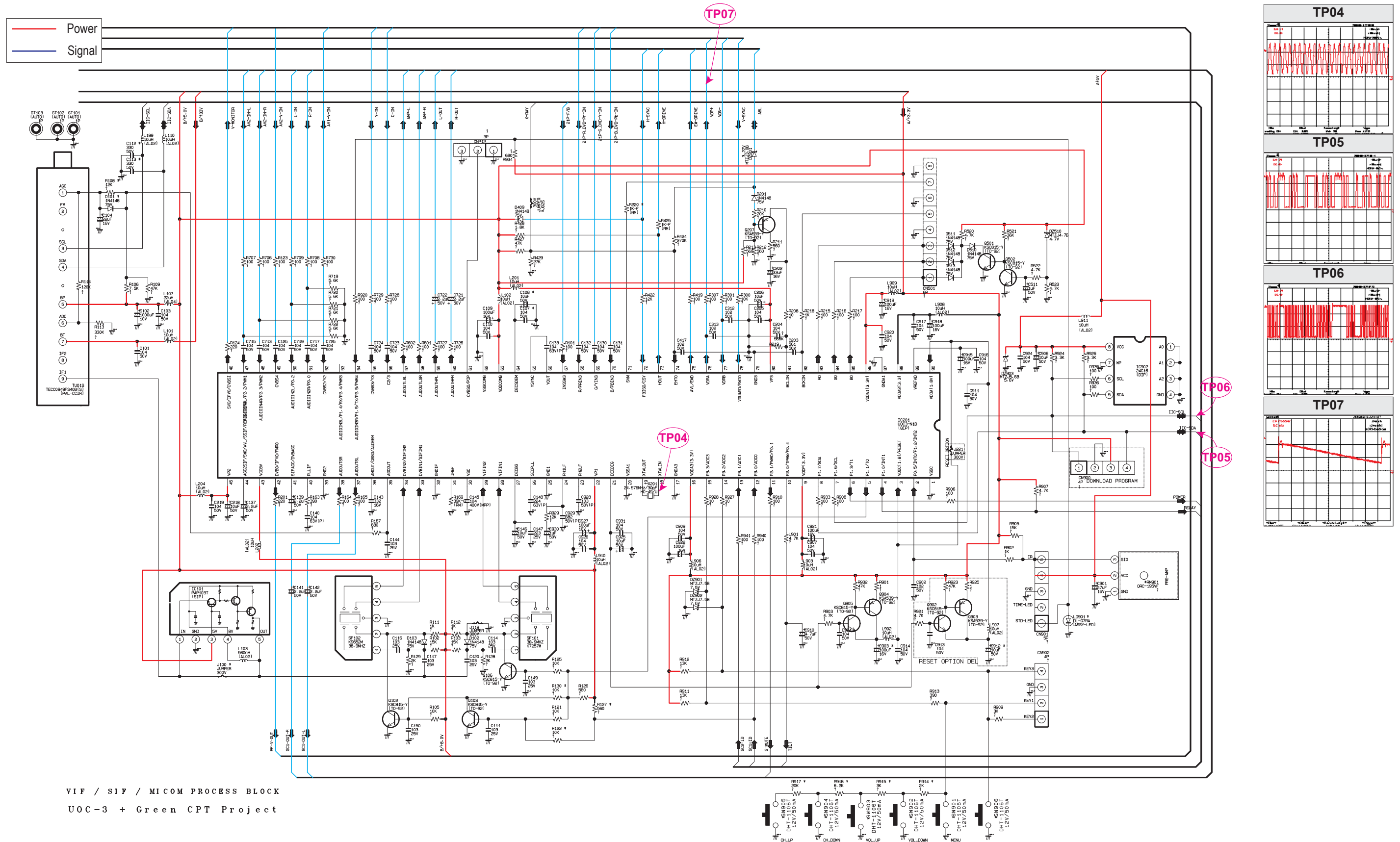
10-1 POWER & DEFLECTION BLOCK

This Document can not be used without Samsung's authorization.



10-2 IF & UOC(CHROMA_MICOM)BLOCK

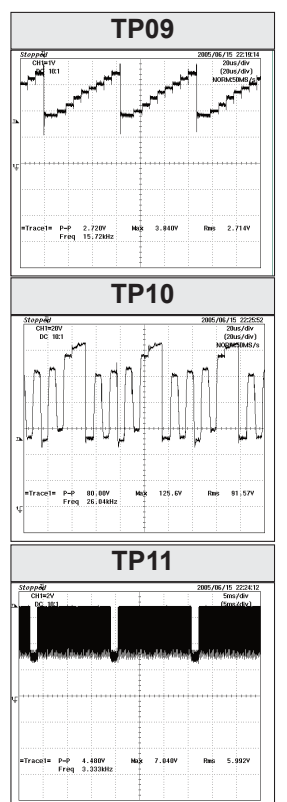
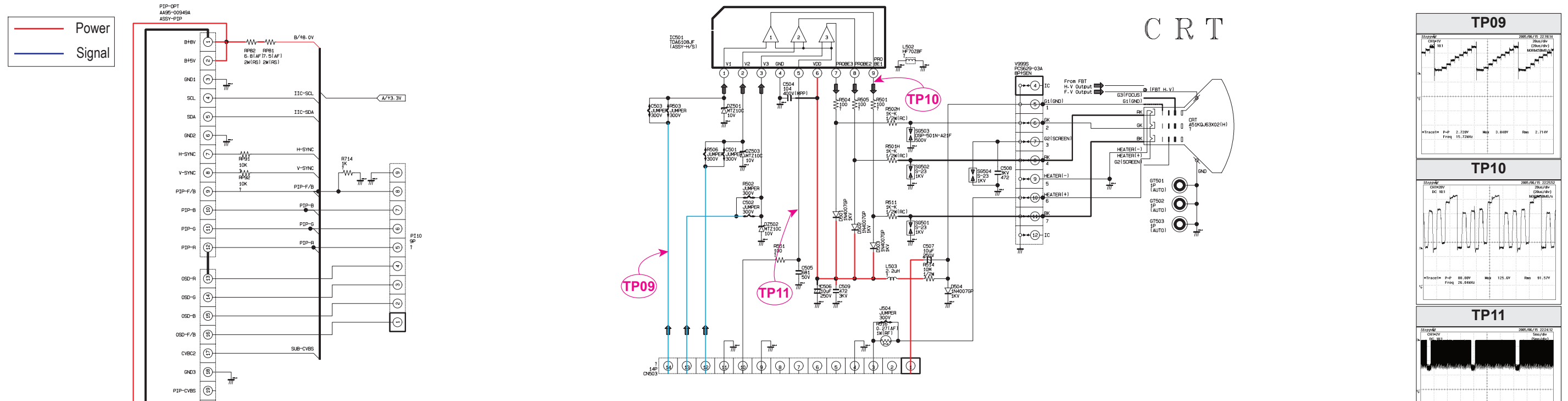
This Document can not be used without Samsung's authorization.



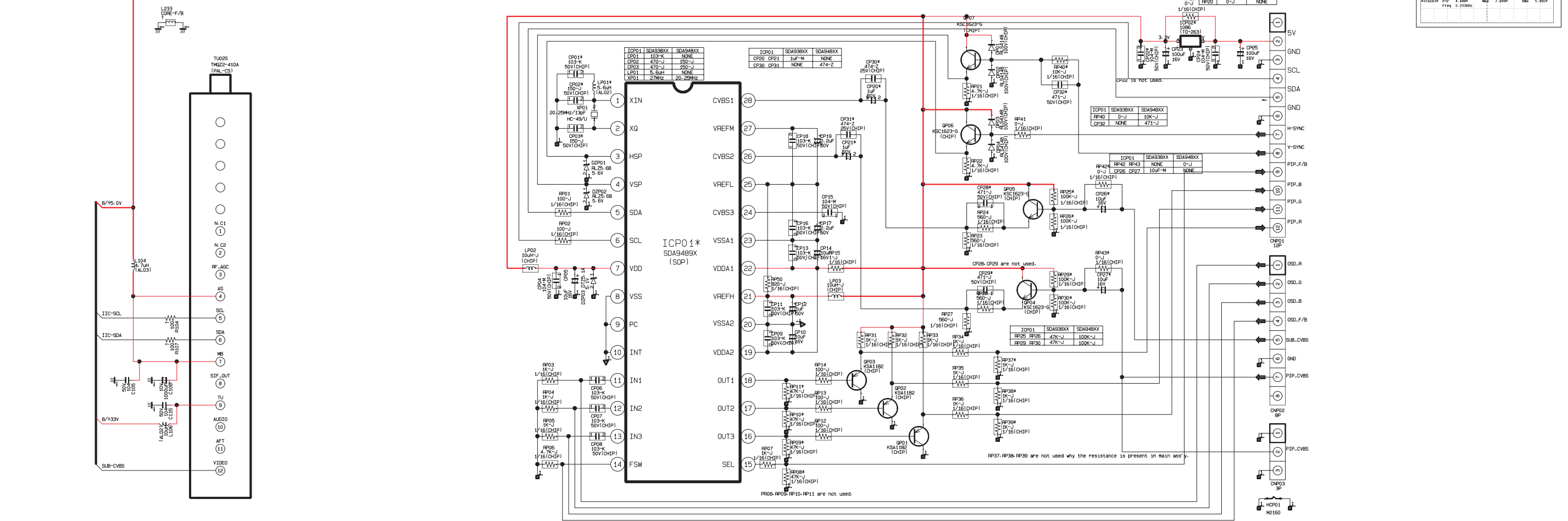
VIF / SIF / MICOM PROCESS BLOCK
UOC-3 + Green CPT Project

10-3 PIP & CRT BLOCK

This Document can not be used without Samsung's authorization.



KS2A/KS3A ASS' Y-PIP MODULE



10-4 AV & SOUND BLOCK

This Document can not be used without Samsung's authorization.

