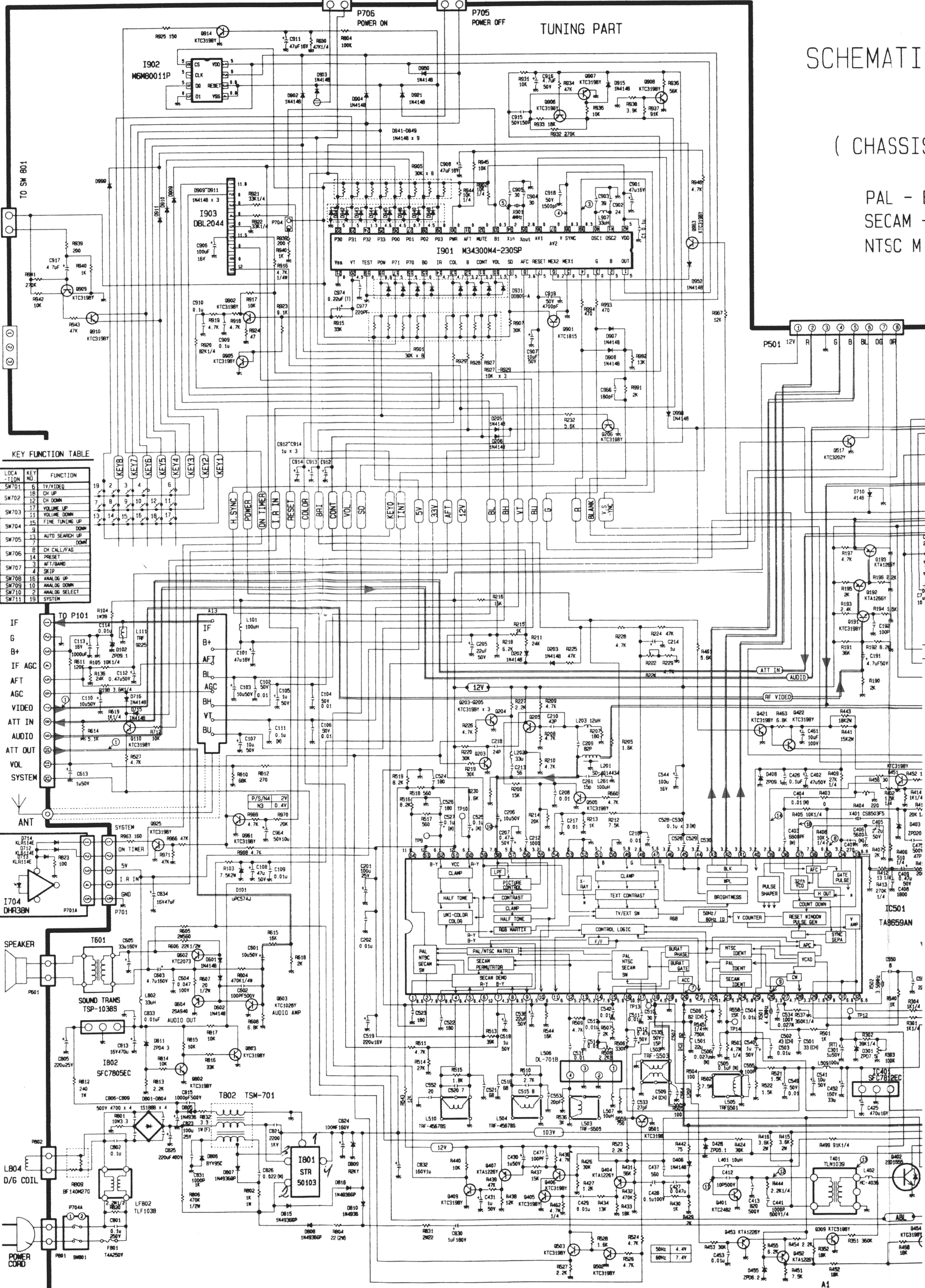


SCHEMATIC

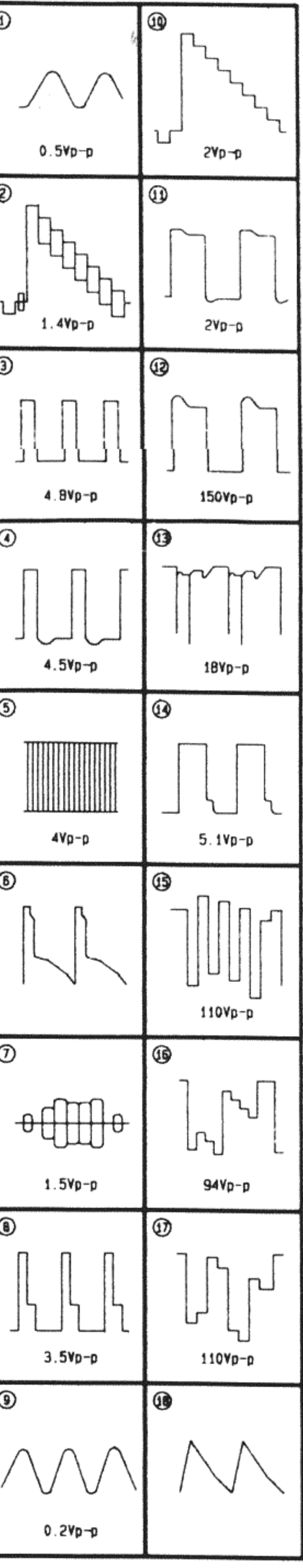
(CHASSIS

PAL - B
SECAM
NTSC M



WAVE FORM

P551A



KEY FUNCTION TABLE

LOCAT-ION	KEY NO.	FUNCTION
SW701	6	TV/VIDEO
SW702	18	CH UP
SW703	17	CH DOWN
SW704	11	VOLUME UP
SW705	12	VOLUME DOWN
SW706	15	FINE TUNING UP
SW707	14	DOWN
SW708	13	AUTO SEARCH UP
SW709	10	DOWN
SW710	2	ANALOG SELECT
SW711	19	SYSTEM

IF
G
B+
IF AGC
AFT
AGC
VIDEO
ATT IN
AUDIO
ATT OUT
VOL
SYSTEM

ANT
I704
DHR38N

SPEAKER

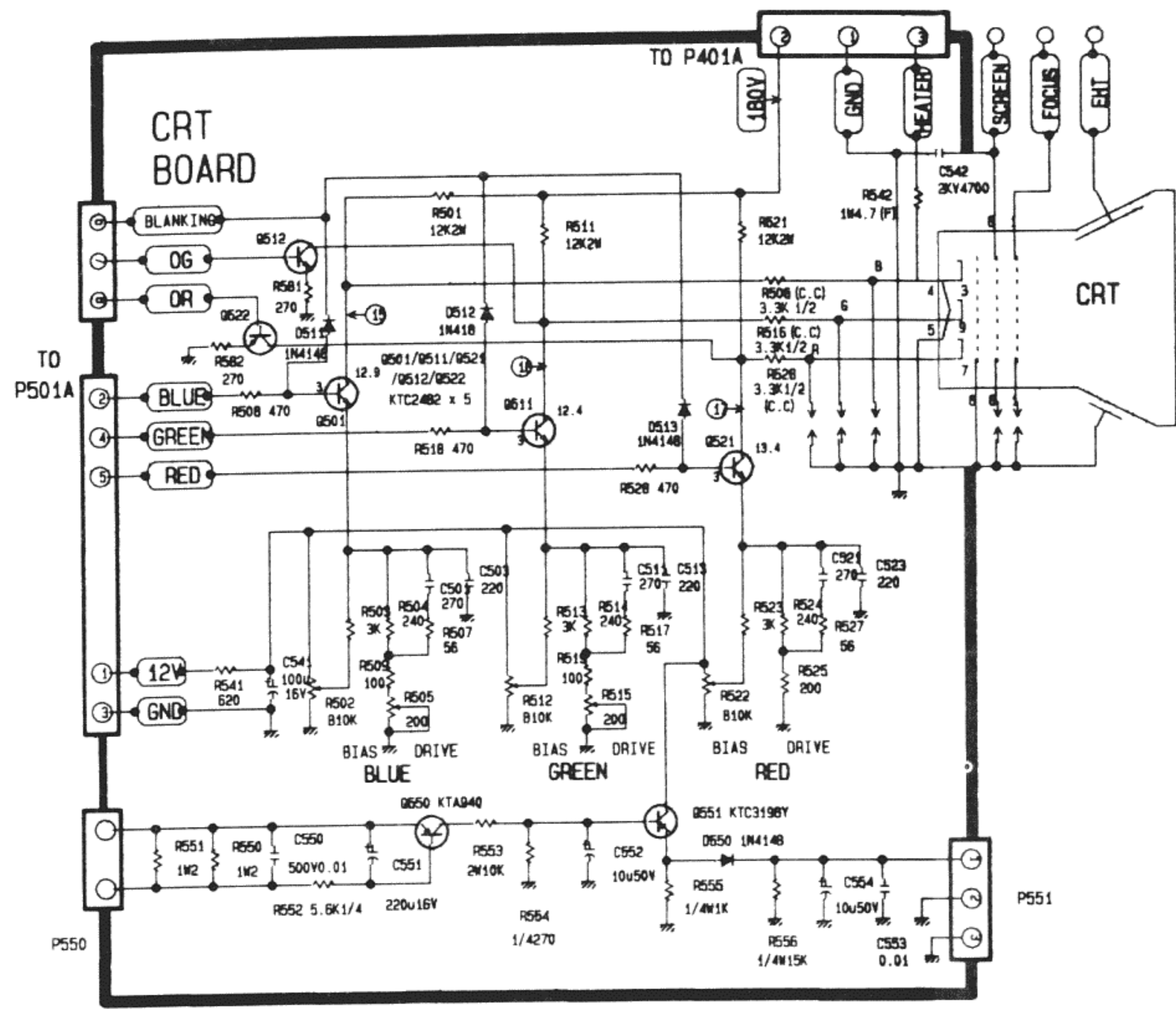
L804
D/G COIL

POWER COIL

CIRCUIT DIAGRAM

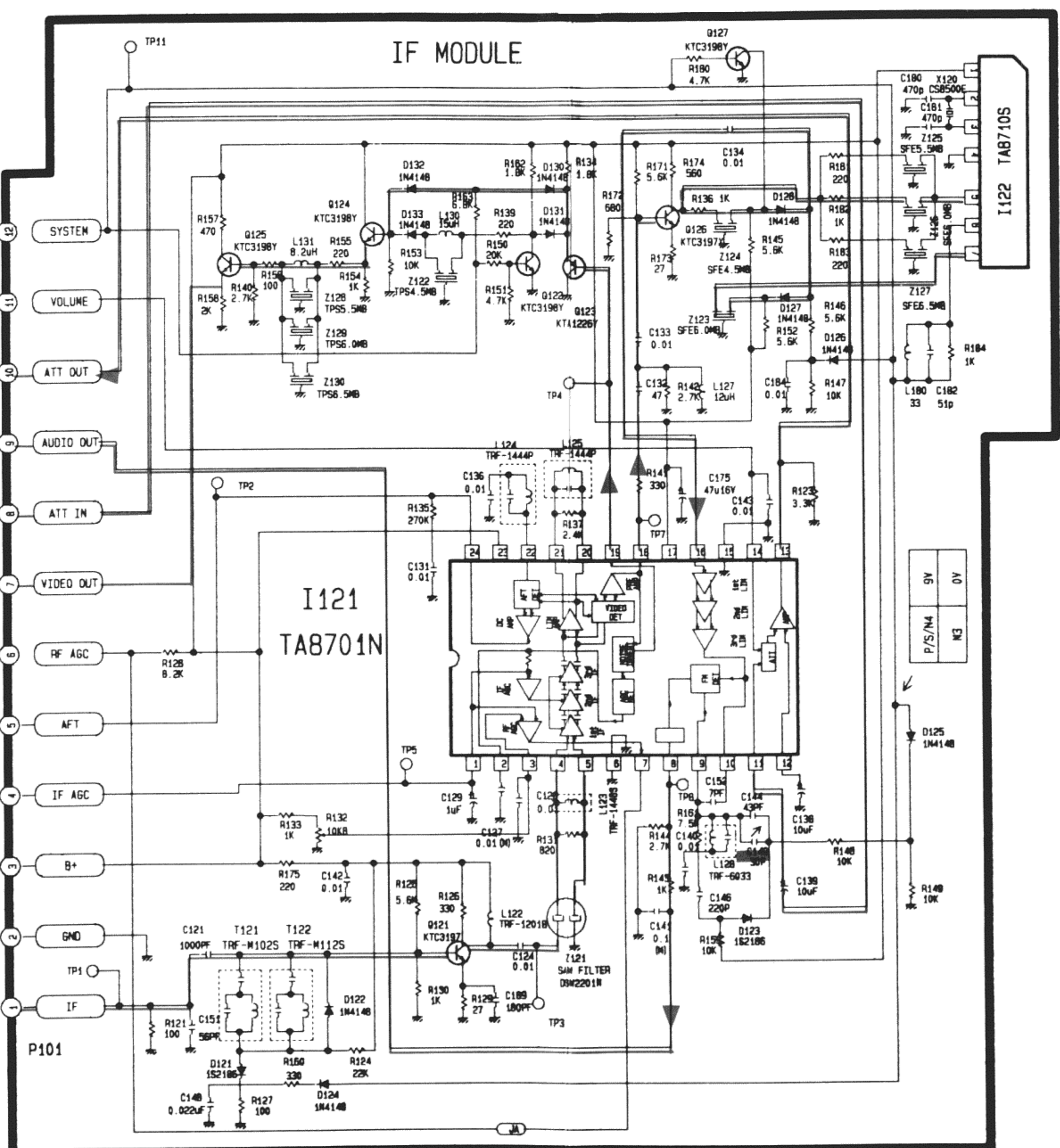
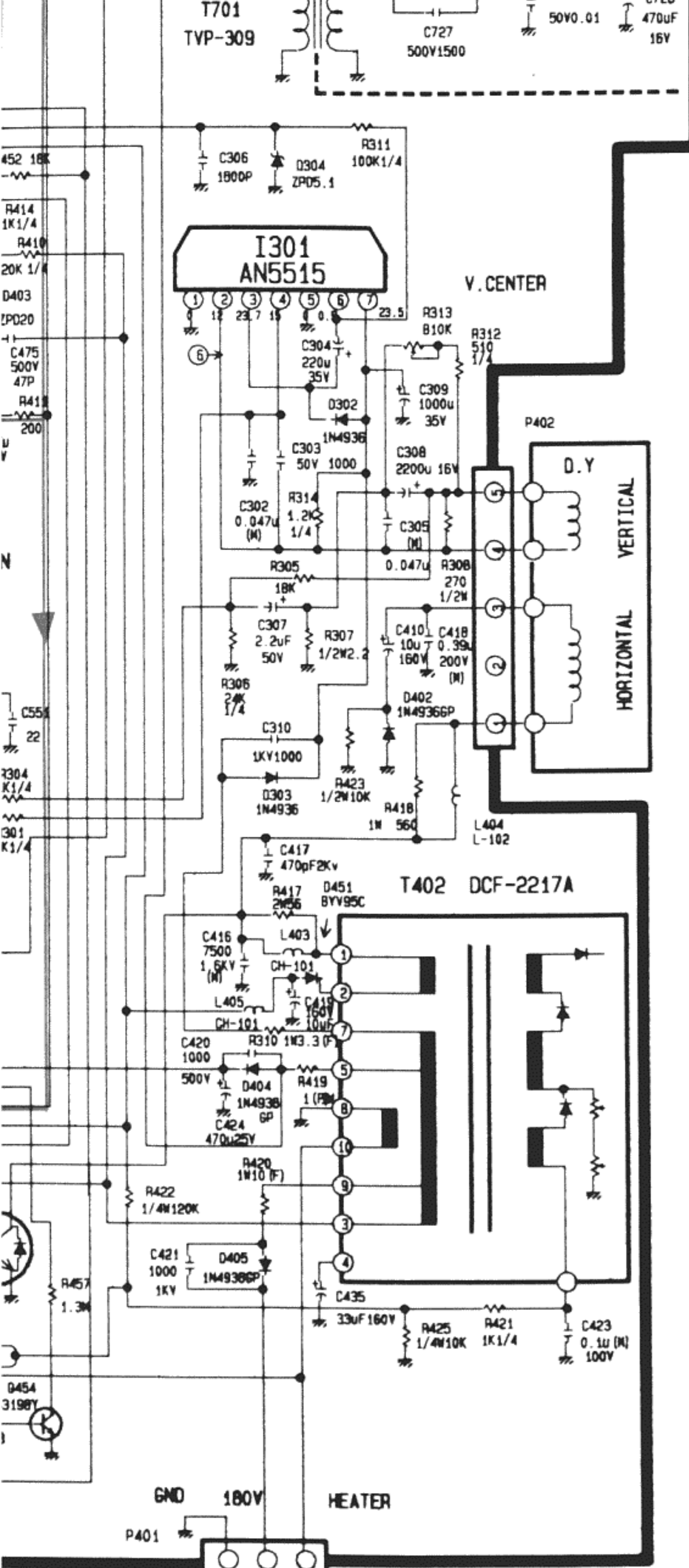
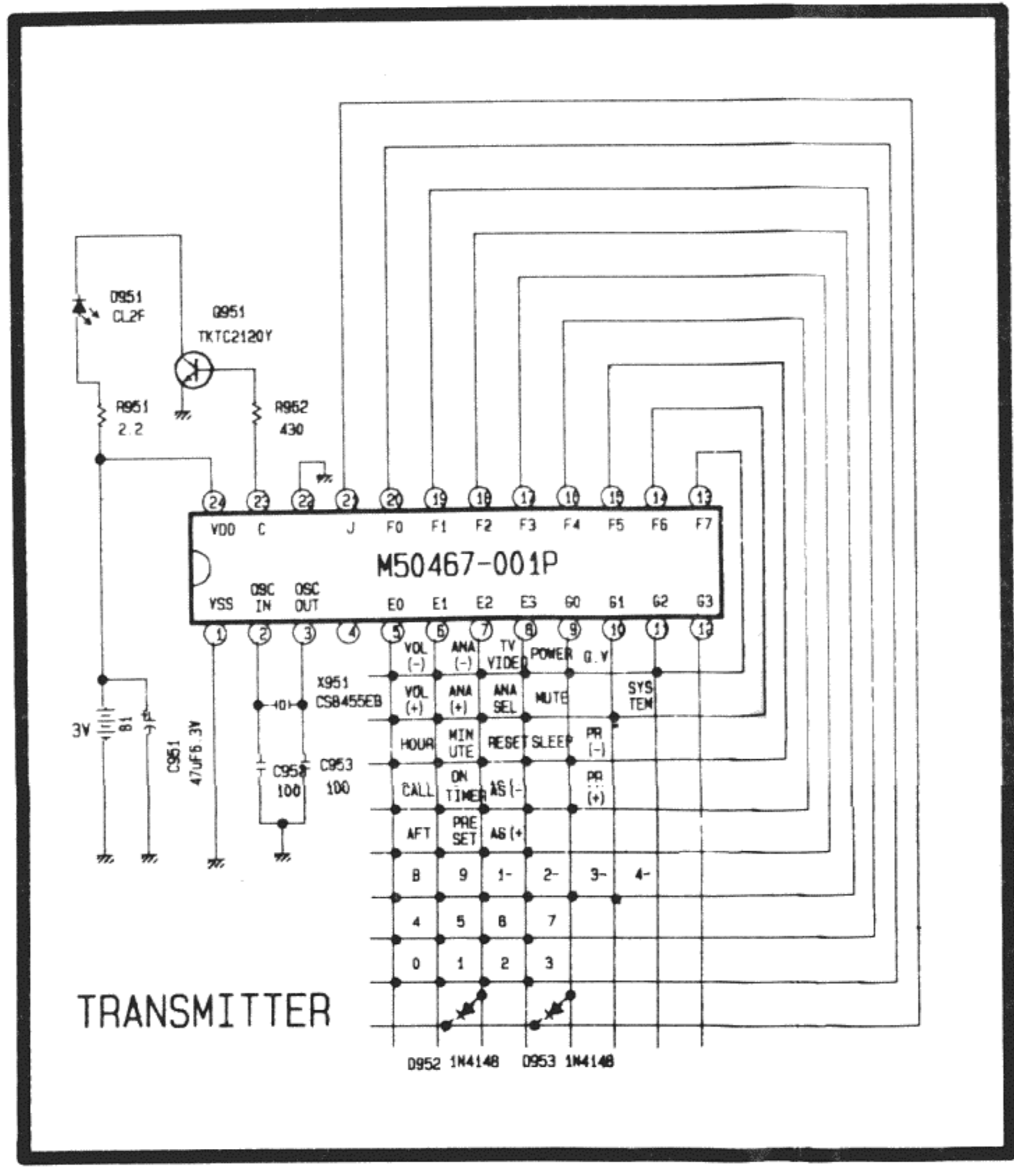
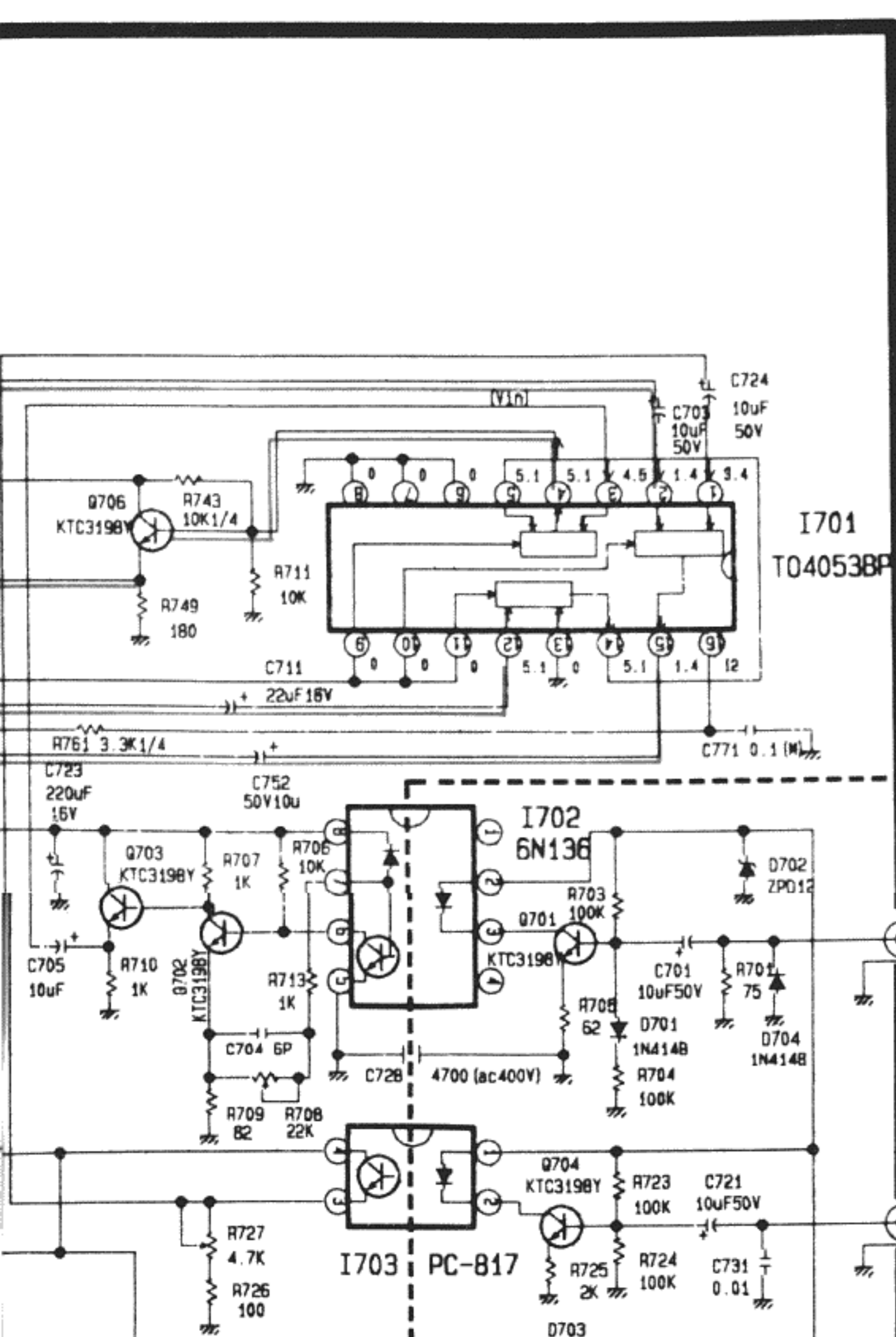
IS : C-50N)

B/G D/K I/H
- B/G D/K
M - 3.58/4.43



* THE DIFFERENCE PARTS OF DTK-1417/1649/2057/2157VMS

NO	LOCATION	PARTNAME	DTK-1457VMS	DTK-1649VMS	DTK-2057VMS	DTK-2157VMS
1		CRT SOCKET	I530	I530	I530	2030
2	C410	C - ELECTRO	160V 1uF	160V 1uF	160V 10uF	160V 10uF
3	C413	C - CERA	500V 820pF	500V 820pF	500V 820pF	500V 470pF
4	C416	C - MYLAR	BUP 1.6KV 6900pF	BUP 1.6KV 6900pF	BUP 1.6KV 7500pF	BUP 1.6KV 7500pF
5	C417	C - CERA				2KV 470pF
6	C418	C - MYLAR	MPP 200V 0.3uF	MPP 200V 0.3uF	MPP 200V 0.39uF	MPP 200V 0.27uF
7	C441	C - CERA	500V 2200pF	500V 2200pF	500V 1000pF	500V 1000pF
8	C475	C - CERA	SL 500V 47pF	SL 500V 47pF	SL 500V 47pF	500V 100pF
9	R305	R CARBON	1/6W 18K	1/6W 18K	1/6W 18K	1/6W 15K
10	R306	R CARBON	1/4W 24K	1/4W 24K	1/4W 24K	1/6W 15K
11	R351	R CARBON	1/4W 360K	1/4W 300K	1/4W 330K	1/4W 240K
12	R451	R CARBON	2W 3.6K	2W 3.6K	2W 3.6K	2W 4.7K
13	R416	R CARBON	2W 3.6K	2W 3.6K	2W 3.6K	2W 4.7K
14	R422	R CARBON	1/4W 240K	1/4W 240K	1/4W 120K	1/4W 120K
15	R444	R CARBON	1/4W 2.2K	1/4W 2.2K	1/4W 3K	1/4W 3K
16	R542	R FUSIBLE	1W 3.9	1W 3.9	1W 4.7	1W 5.1
17	P402	CONN WAFER	020 (5PIN)	020 (5PIN)	020 (5PIN)	020 (5PIN)
18	T402	FAT	DCF-1577A	DCF-1577A	DCF-2077A	DCF-2217A
19	R552	R CARBON	1/4W 3.9K	1/4W 3.9K	1/4W 5.6K	1/4W 7.5K



SAFETY CAUTION :

BEFORE SERVICING THIS CHASSIS IT IS IMPORTANT THAT THE SERVICE TECHNICIAN READ AND FOLLOW THE "X-RAY RADIATION PRECAUTION "SAFETY PRECAUTIONS" AND "PRODUCT SAFETY NOTICE" IN THE SERVICE MANUAL.

NOTE :

1. RESISTANCE VALUES ARE IN ohms K = 1000 M = 1000000
2. CAPACITANCE VALUES I.O AND ABOVE ARE IN pF THOSE BELOW ARE IN uF EXCEPT AS INDICATED.
3. INDUCTOR VALUES IN uF EXCEPT AS INDICATED.
4. VOLTAGES ARE MEASURED FROM CHASSIS GROUND TO POINT INDICATED WITH A * VTVM * WHILE RECEIVING A COLOR BAR SIGNAL WITH CONTROLS SET TO THE MAXIMUM POSITION. (FOR A NOMINAL LINE VOLTAGE AC 240V 50Hz).
5. SINCE THE CIRCUIT DIAGRAM IS A STANDARD ONE THE CIRCUIT AND CIRCUIT CONSTANTS MAY BE SUBJECT TO CHANGE FOR IMPROVEMENT WITHOUT ANY NOTICE.

PRODUCT SAFETY NOTE :

SHADED COMPONENTS HAVE SPECIAL CHARACTERISTICS IMPORTANT TO SAFETY AND SHOULD BE REPLACED ONLY WITH TYPES IDENTICAL TO THOSE IN THE ORIGINAL OR SPECIFIED IN THE PARTS LIST. DONT'T DEGRADE THE SAFETY OF THE SET THROUGH IMPROPER SERVICING.