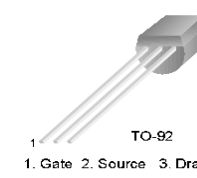
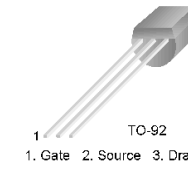


TECNO ELDORADO

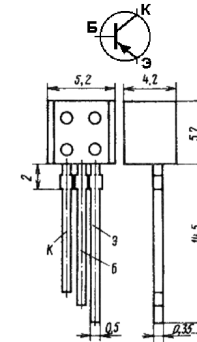
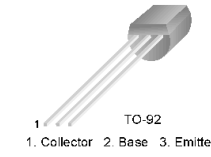
**BF245A/BF245B/BF245C**

**TIS75**



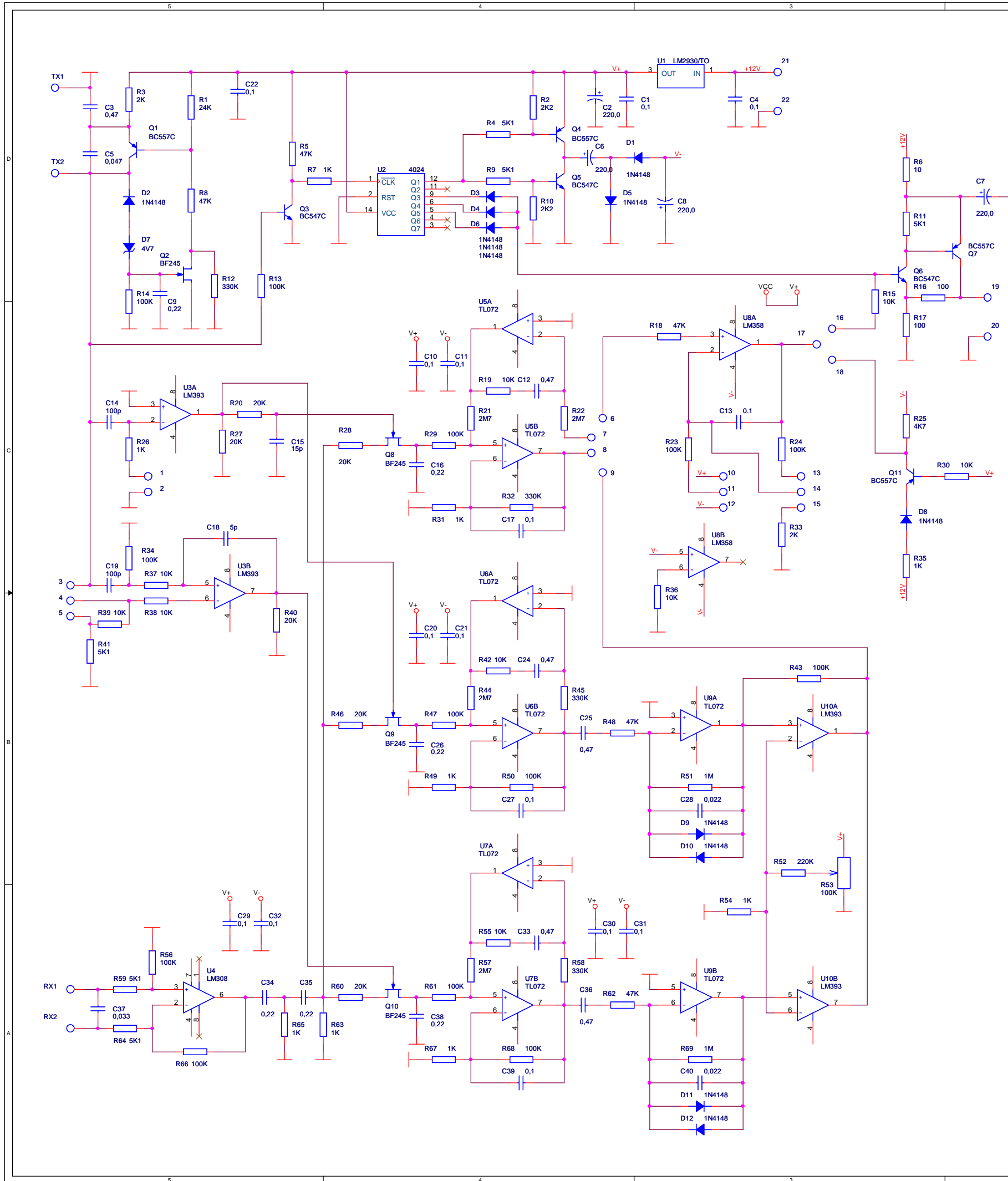
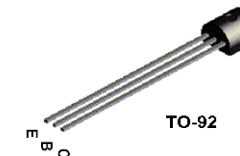
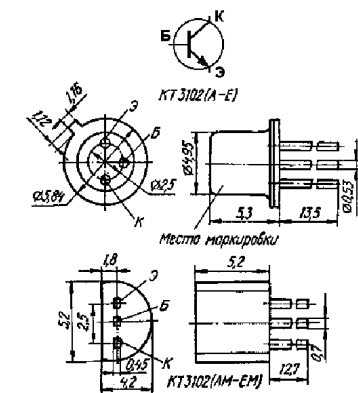
**BC556/557/558/559/560**

**КТ3107 (кремниевый транзистор, p-n-p)**



**КТ3102 (кремниевый транзистор, p-n-p)**

**BC547  
BC547A  
BC547B  
BC547C**

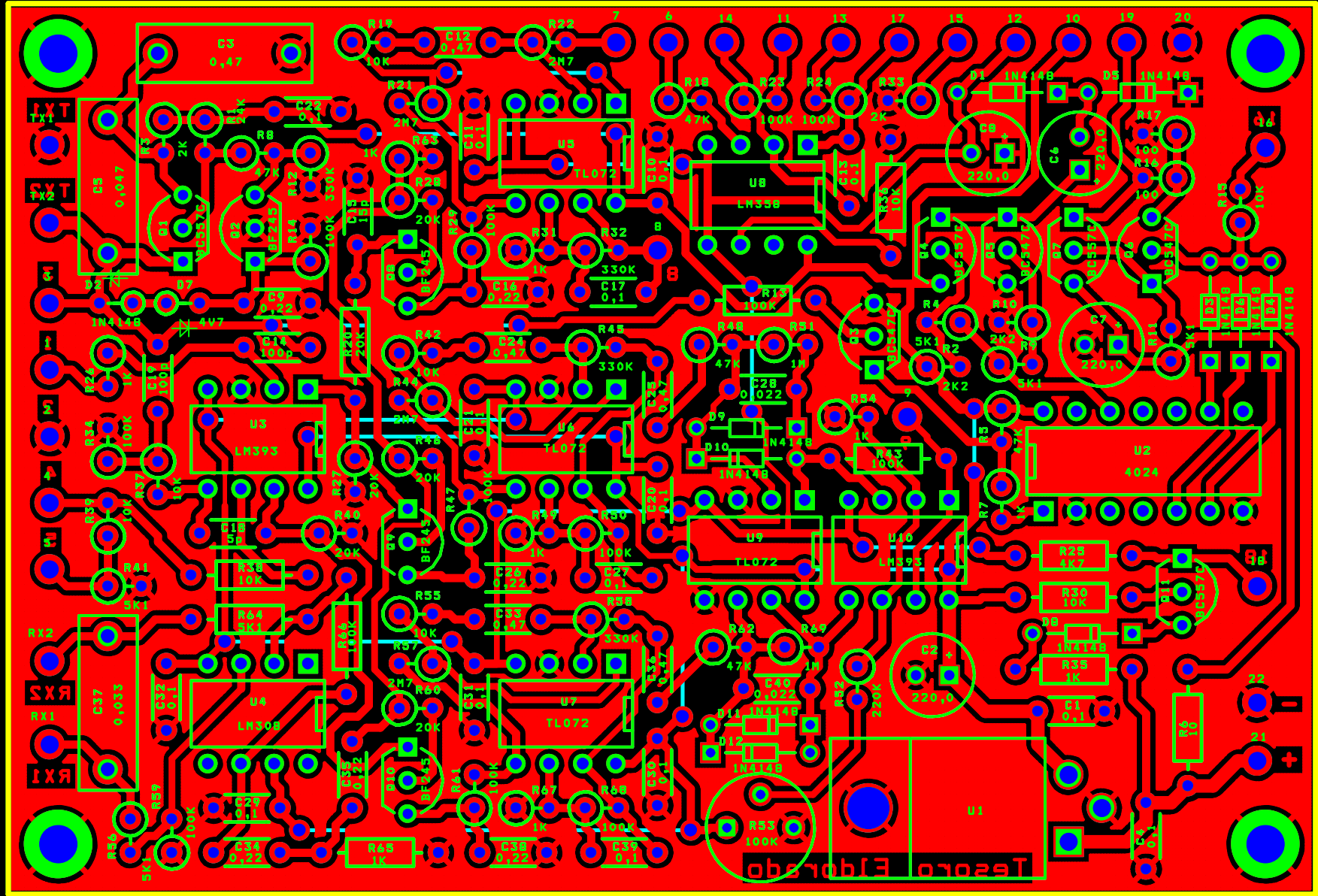


Title			Tesoro Eldorado		
Size	Document Number	PCB by Andy_F			Rev
C					2
Date:	Thursday, April 23, 2009	Sheet	1	of	1

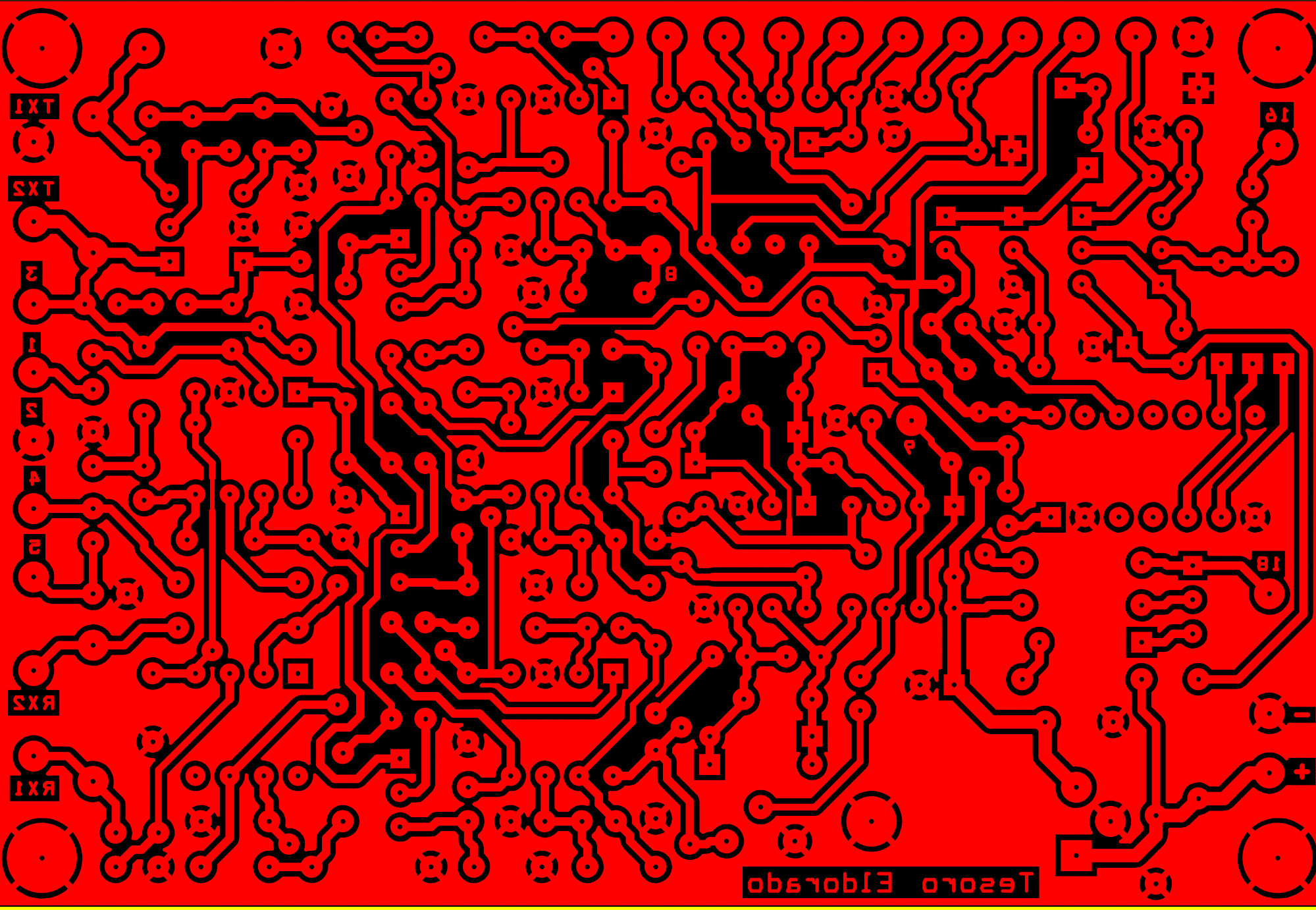
Bill of material

Part	Quantity	Reference
5 pF	1	C18
15 pF	1	C15
100 pF	2	C14, C19
0,022 uF	2	C28, C40
0,033 uF	1	C37
0,047 uF	1	C5
0,1 uF	15	C1, C4, C10, C11, C13, C17, C20, C21, C22, C27, C29, C30, C31, C32, C39
0,22 uF	6	C9, C16, C26, C34, C35, C38
0,47 uF	6	C3, C12, C24, C25, C33, C36
220,0 uF	4	C2, C6, C7, C8
1N4148	11	D1, D2, D3, D4, D5, D6, D8, D9, D10, D11, D12
4V7	1	D7
BC547C	3	Q3, Q5, Q6
BC557C	4	Q1, Q4, Q7, Q11
BF245	4	Q2, Q8, Q9, Q10
10 Ohm	1	R6
100 Ohm	2	R16, R17
1 K	9	R7, R26, R31, R35, R49, R54, R63, R65, R67
2 K	2	R3, R33
2,2 K	2	R2, R10
4,7 K	1	R25
5,1 K	6	R4, R9, R11, R41, R59, R64
10 K	9	R15, R19, R30, R36, R37, R38, R39, R42, R55
20 K	6	R20, R27, R28, R40, R46, R60
24 K	1	R1
47 K	5	R5, R8, R18, R48, R62
100 K	14	R13, R14, R23, R24, R29, R34, R43, R47, R50, R53, R56, R61, R66, R68
220 K	1	R52
330 K	4	R12, R32, R45, R58
1 M	2	R51, R69
2,7 M	4	R21, R22, R44, R57
LM2930	1	U1
4024	1	U2
LM393	2	U3, U10
LM308	1	U4
TL072	4	U5, U6, U7, U9
LM358	1	U8

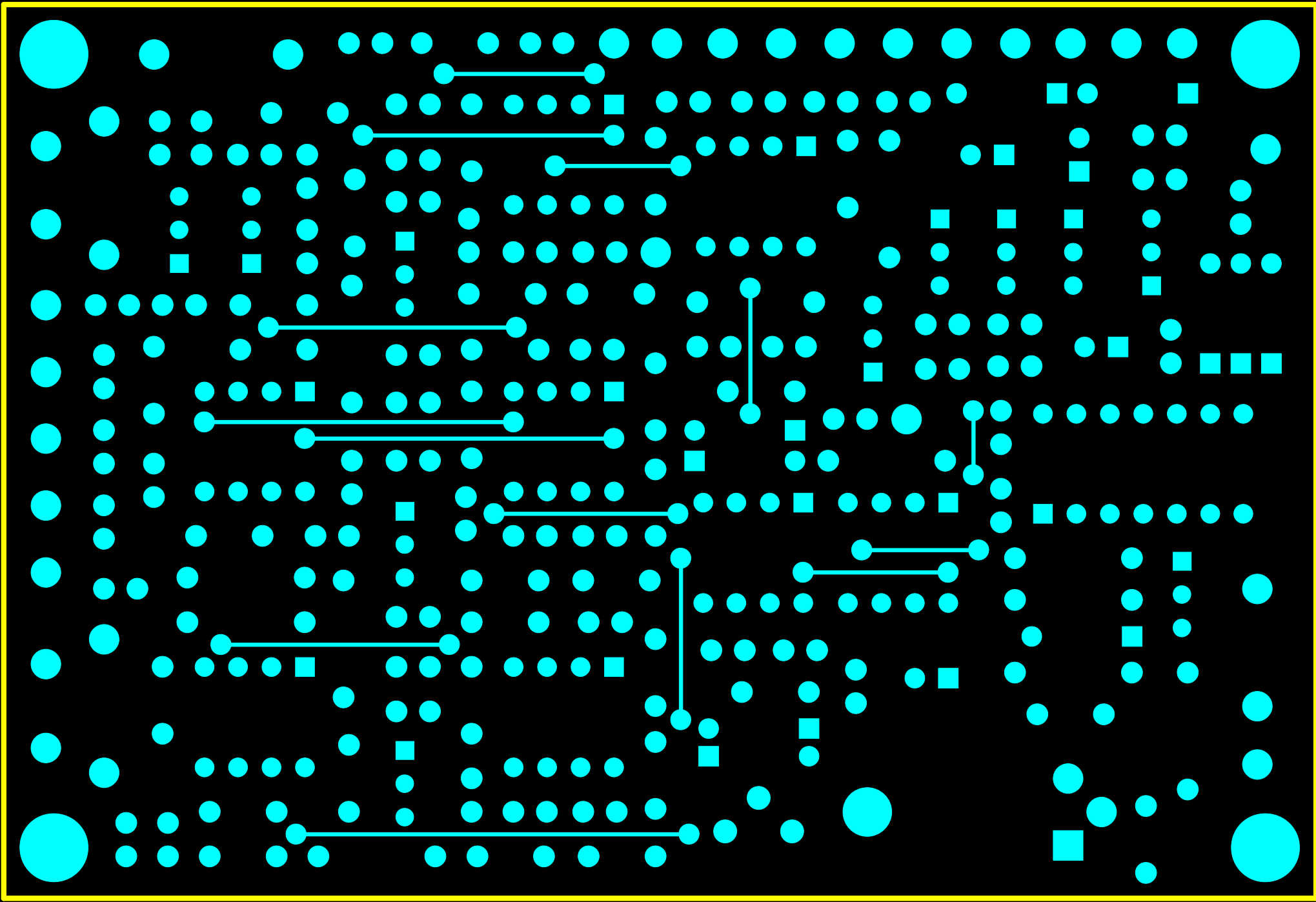
67.9450mm

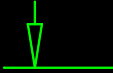


99.6950mm

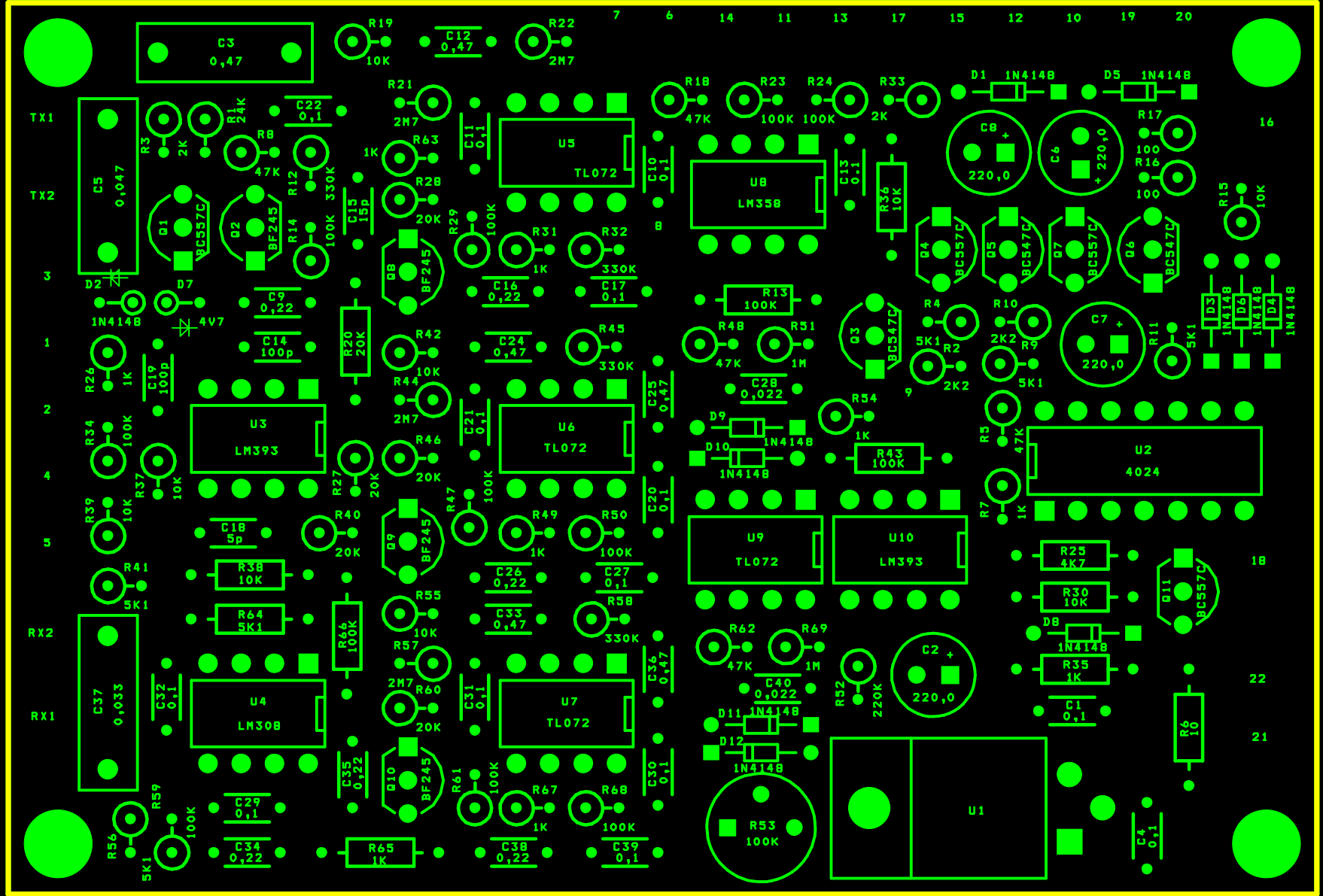


Tesoro Elborado





67.9450mm



99.6950mm



