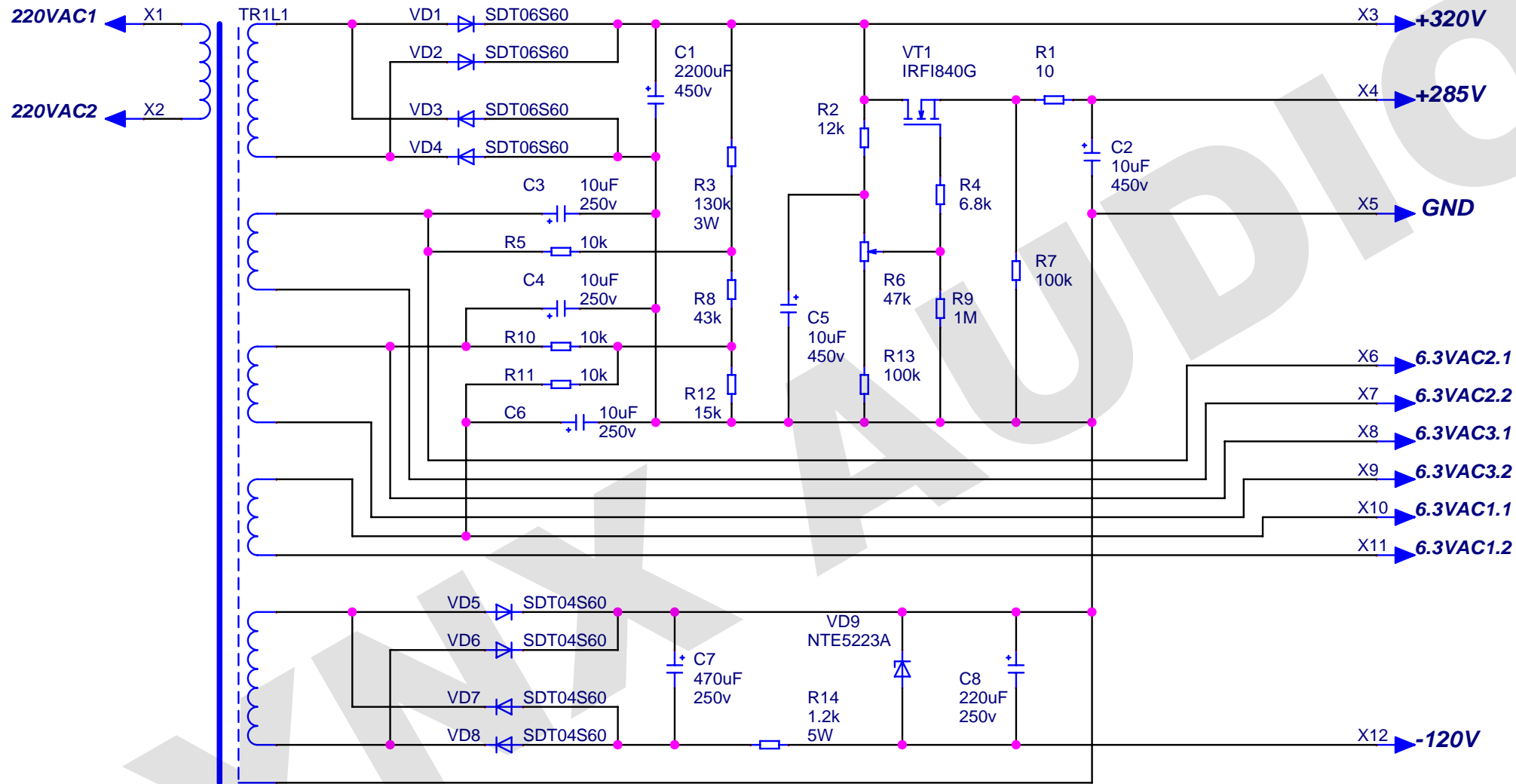


- X3 ➔ +320V
- X4 ➔ +285V
- F1 X5 ➔ 6.3VAC1.1
- F2 X6 ➔ 6.3VAC1.2
- F3 X7 ➔ 6.3VAC2.1
- F4 X8 ➔ 6.3VAC2.2
- F5 X9 ➔ 6.3VAC3.1
- F6 X10 ➔ 6.3VAC3.2

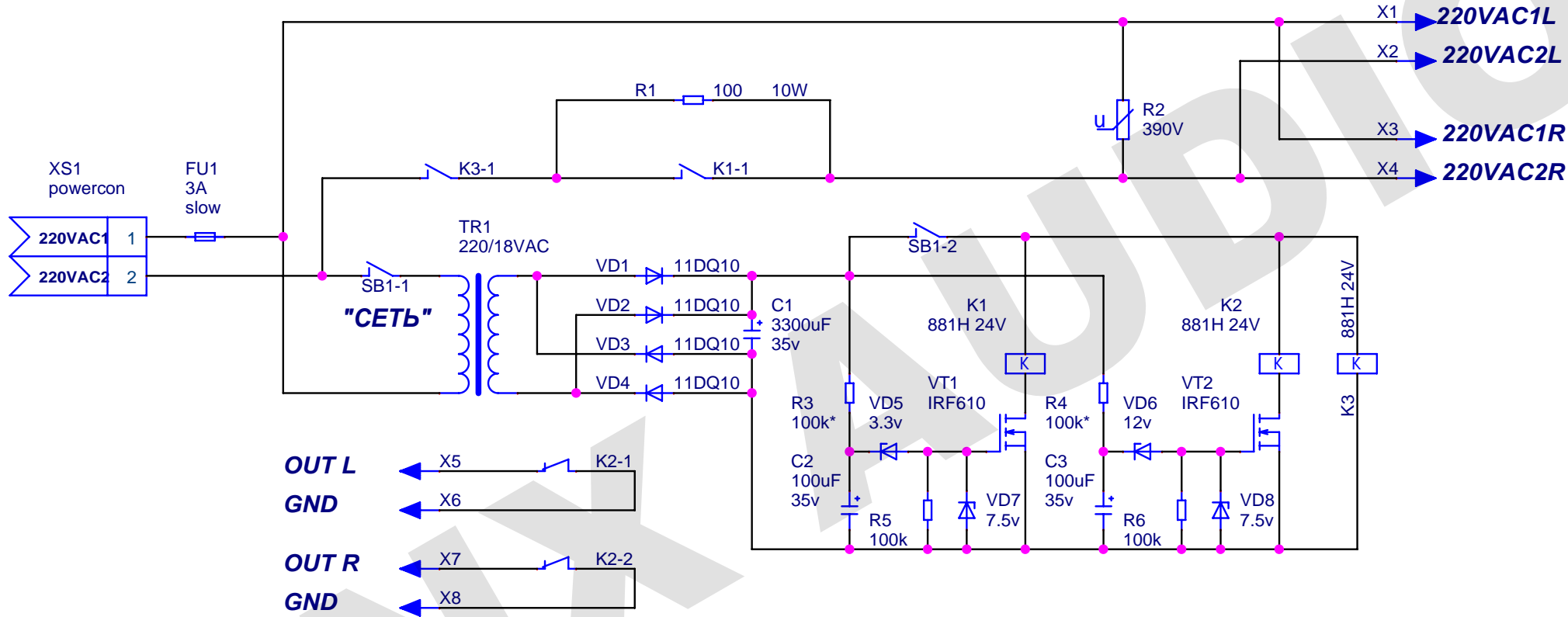
GND
INP

- X11 ➔ OUT1
- X12 ➔ OUT2
- X13 ➔ -120V
- X14 ➔ GND

<i>Lynx Audio Engineering Department</i>		
Lynx06 vacuum tube amplifier		
Size	Document Number 175	Rev 5
Date:	Thursday, March 22, 2007	Sheet 1 of 1



Lynx Audio Engineering Department		
Title		
Lynx06. Power supply		
Size	Document Number	Rev
	177	1
Date:	Thursday, March 22, 2007	Sheet 1 of 1



Lynx Audio Engineering Department		
Title Lynx06. Sofstart		
Size	Document Number 178	Rev 1
Date:	Friday, March 23, 2007	Sheet 1 of 1