

6

5

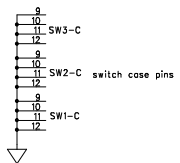
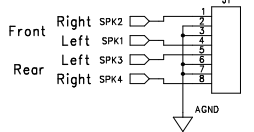
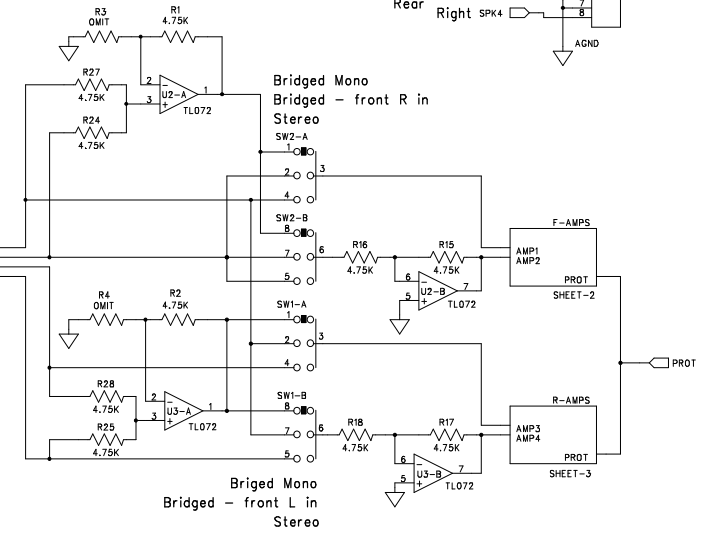
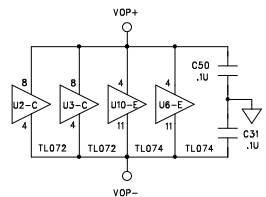
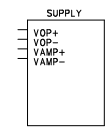
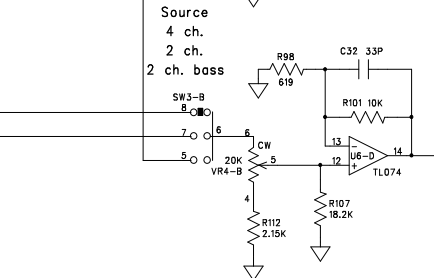
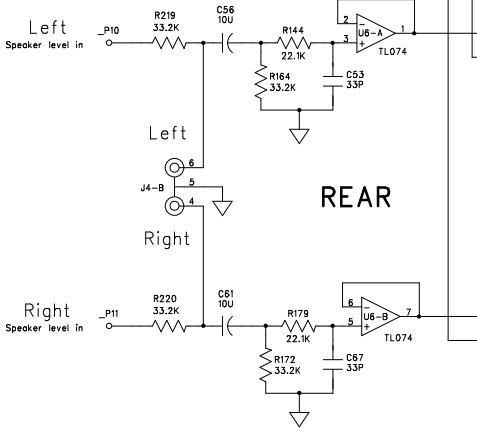
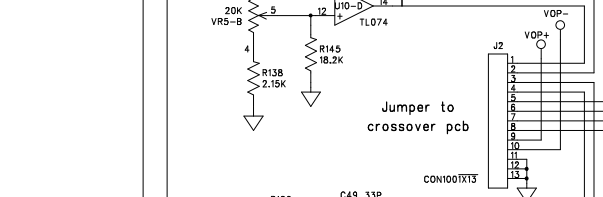
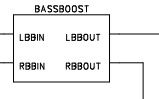
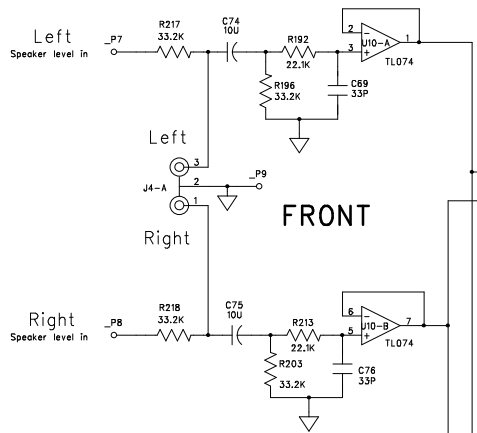
4

3

2

1

| REVISION RECORD |         |           |       |
|-----------------|---------|-----------|-------|
| LTR             | ECO NO: | APPROVED: | DATE: |
|                 |         |           |       |
|                 |         |           |       |
|                 |         |           |       |



|                  |        |                             |       |               |
|------------------|--------|-----------------------------|-------|---------------|
| COMPANY:         |        | CLARION CORP.               |       |               |
| TITLE:           |        | APX400.4                    |       |               |
| DRAWN:           |        | 4 x 50 watt power amplifier |       |               |
| CHECKED:         | DATED: | CODE:                       | SIZE: | DRAWING NO:   |
| QUALITY CONTROL: | DATED: |                             |       | REV:          |
| RELEASED:        | DATED: |                             |       | 1.01          |
| SCALE:           |        |                             |       | SHEET: 1 OF 5 |

PADS

D

D

C

C

B

B

A

A

6

5

4

3

2

1

| REVISION RECORD |         |           |       |
|-----------------|---------|-----------|-------|
| LTR             | ECO NO: | APPROVED: | DATE: |
|                 |         |           |       |
|                 |         |           |       |
|                 |         |           |       |

D

D

C

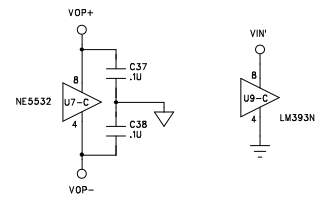
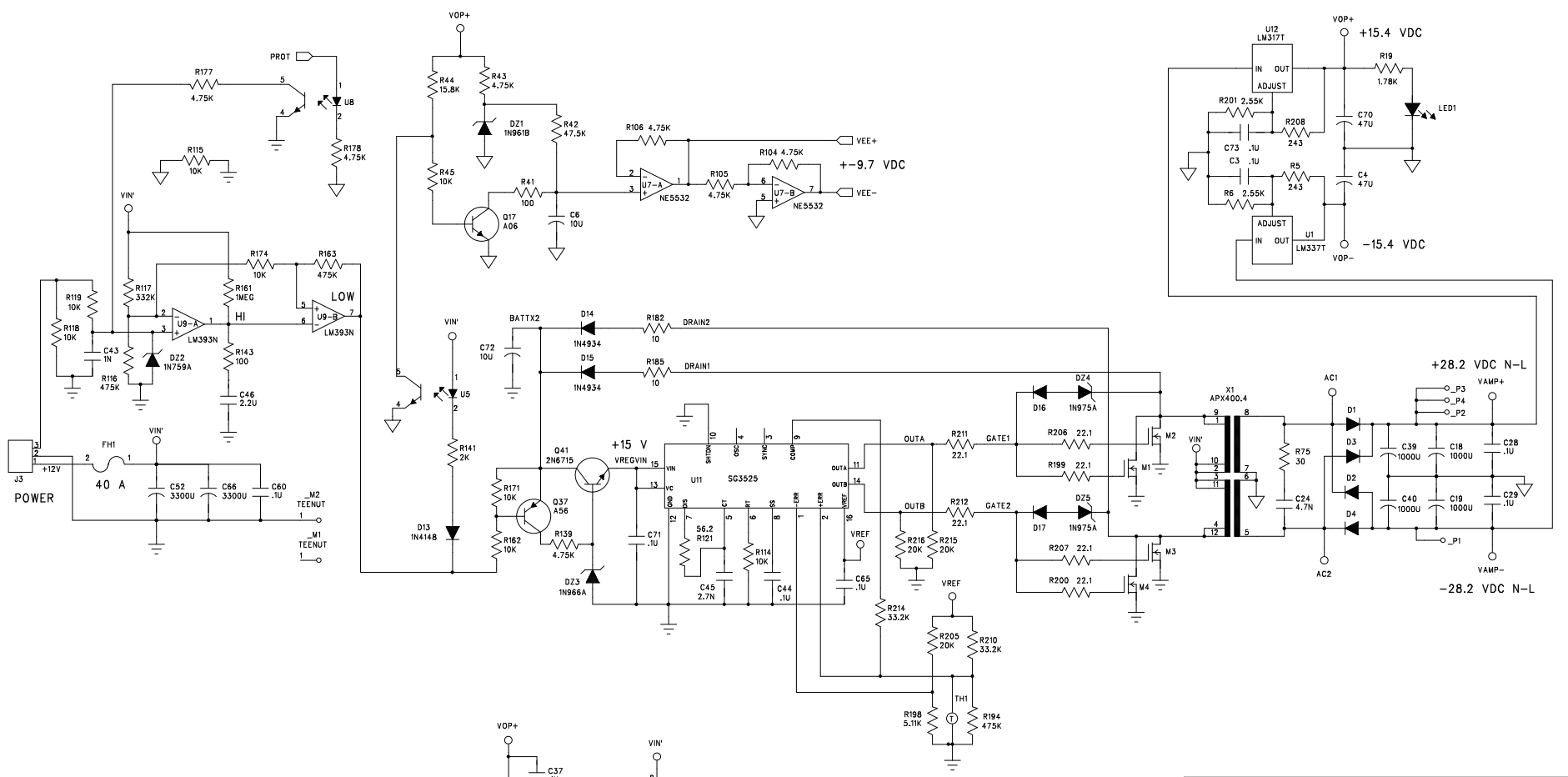
C

B

B

A

A



|                      |                   |
|----------------------|-------------------|
| DRAWN:<br>B. Waddell | DATED:<br>4/15/99 |
| CHECKED:             | DATED:            |
| QUALITY CONTROL:     | DATED:            |
| RELEASED:            | DATED:            |

|  |       |             |               |
|--|-------|-------------|---------------|
| COMPANY:<br><b>CLARION CORP.</b>   |       |             |               |
| TITLE:<br><b>APX400.4<br/>4 x 50 watt power amplifier<br/>power supply section</b> |       |             |               |
| CODE:  | SIZE: | DRAWING NO: | REV:<br>1.01  |
| SCALE:   |       |             | SHEET: 4 OF 5 |



6

5

4

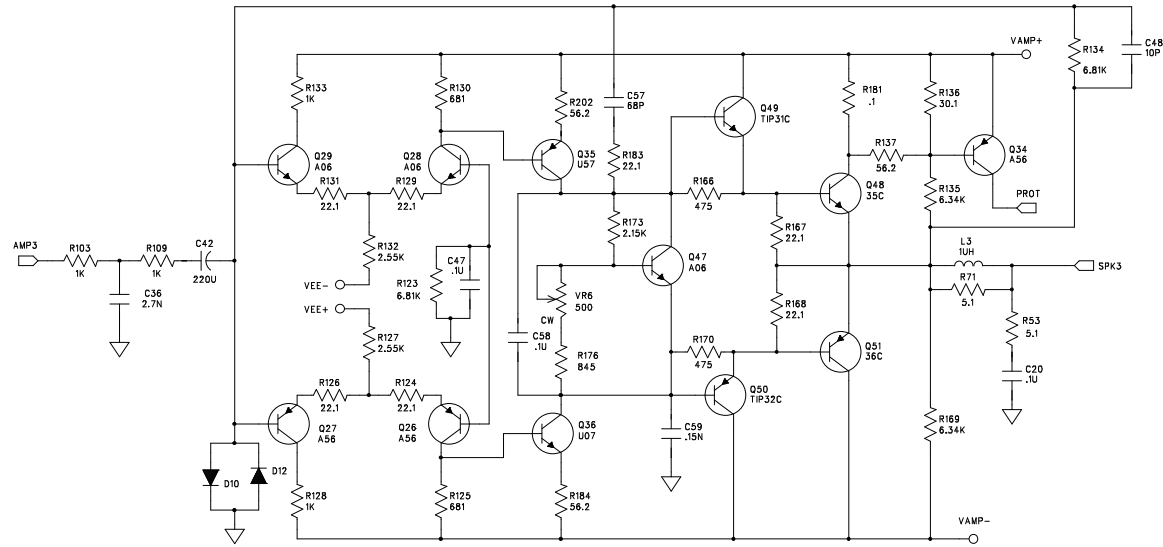
3

2

1

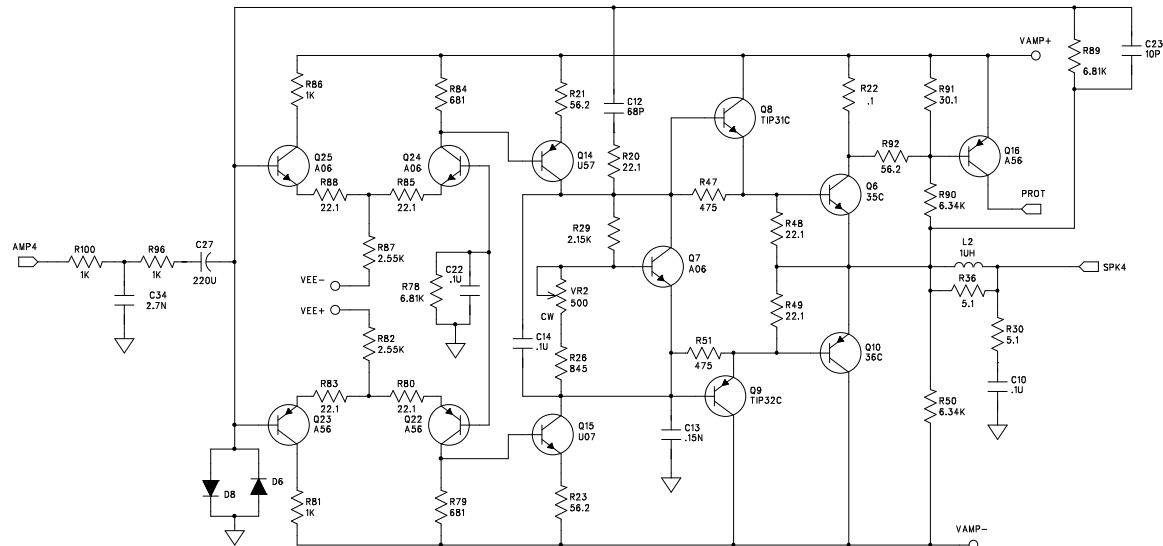
| REVISION RECORD |         |           |       |
|-----------------|---------|-----------|-------|
| LTR             | ECO NO: | APPROVED: | DATE: |
|                 |         |           |       |
|                 |         |           |       |
|                 |         |           |       |

Left



REAR

Right



COMPANY: CLARION CORP.

TITLE: APX400.4  
4 x 50 watt power amplifier  
amplifier section - Rear

|                      |                   |
|----------------------|-------------------|
| DRAWN:<br>B. Waddell | DATED:<br>4/15/99 |
| CHECKED:             | DATED:            |
| QUALITY CONTROL:     | DATED:            |
| RELEASED:            | DATED:            |

|        |       |             |               |
|--------|-------|-------------|---------------|
| CODE:  | SIZE: | DRAWING NO: | REV:<br>1.01  |
| SCALE: |       |             | SHEET: 3 OF 5 |

6

5

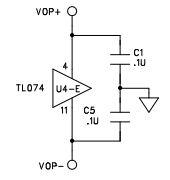
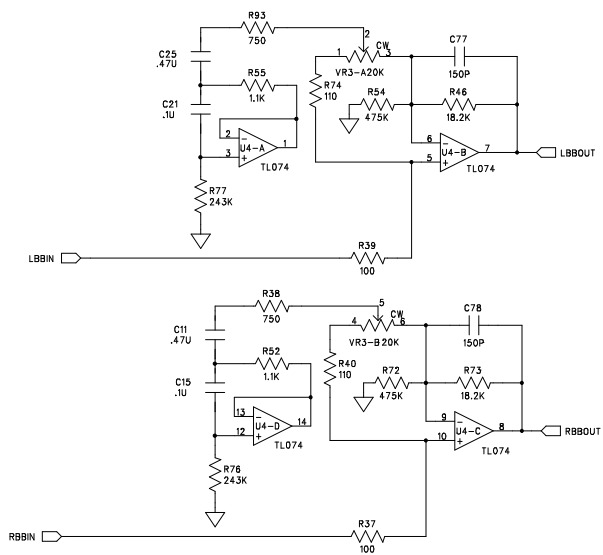
4

3

2

1

| REVISION RECORD |         |           |       |
|-----------------|---------|-----------|-------|
| LTR             | ECO NO: | APPROVED: | DATE: |
|                 |         |           |       |
|                 |         |           |       |
|                 |         |           |       |



|                      |  |                   |  |                                  |  |               |  |
|----------------------|--|-------------------|--|----------------------------------|--|---------------|--|
| DRAWN:<br>B. Waddell |  | DATED:<br>4/15/99 |  | COMPANY:<br><b>CLARION CORP.</b> |  |               |  |
| CHECKED:             |  | DATED:            |  | TITLE:<br><b>APX400.4</b>        |  |               |  |
| QUALITY CONTROL:     |  | DATED:            |  | CODE:                            |  | DRAWING NO:   |  |
| RELEASED:            |  | DATED:            |  |                                  |  | REV:<br>1.01  |  |
| SCALE:               |  |                   |  |                                  |  | SHEET: 5 OF 8 |  |

D

C

B

A

D

C

B

A