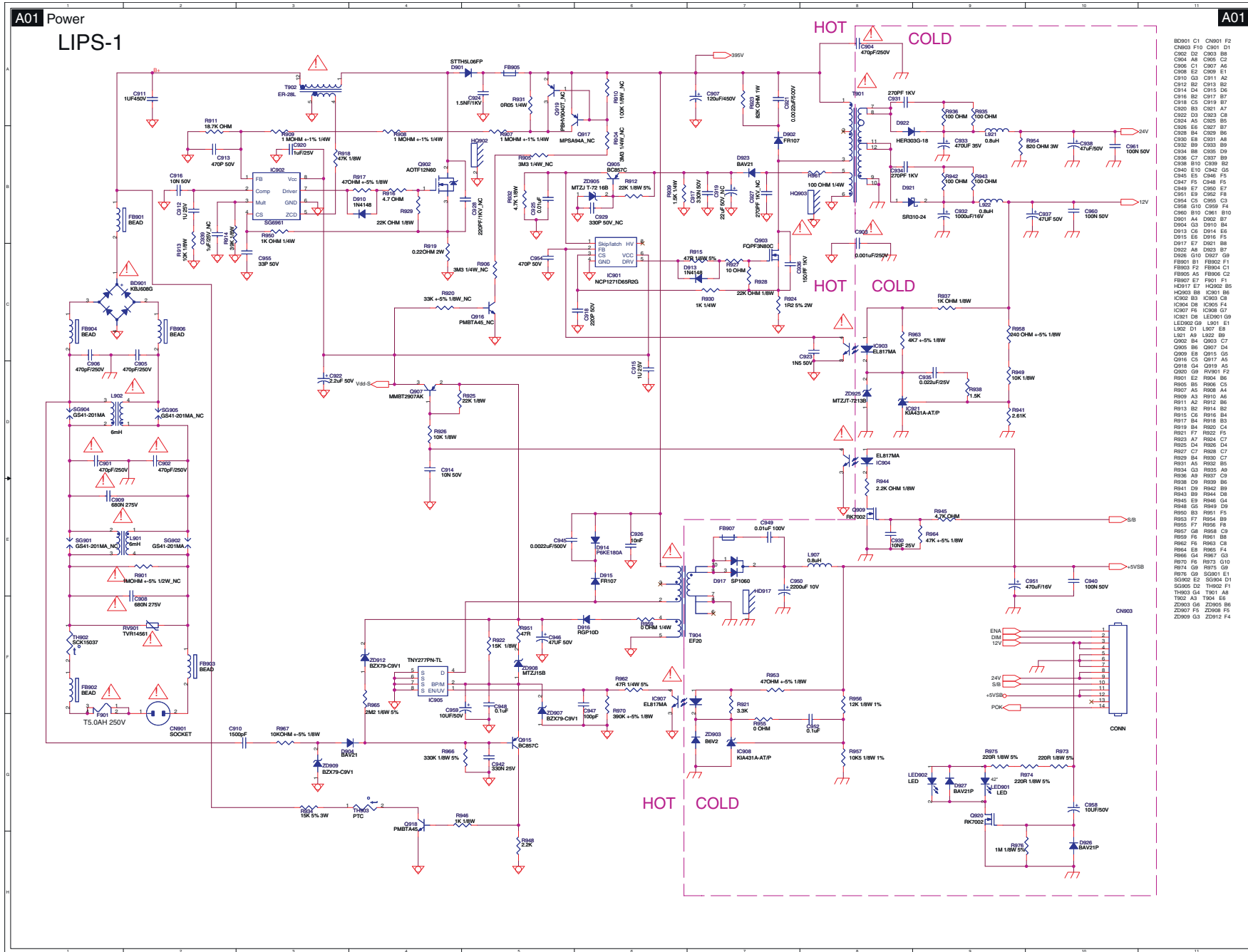


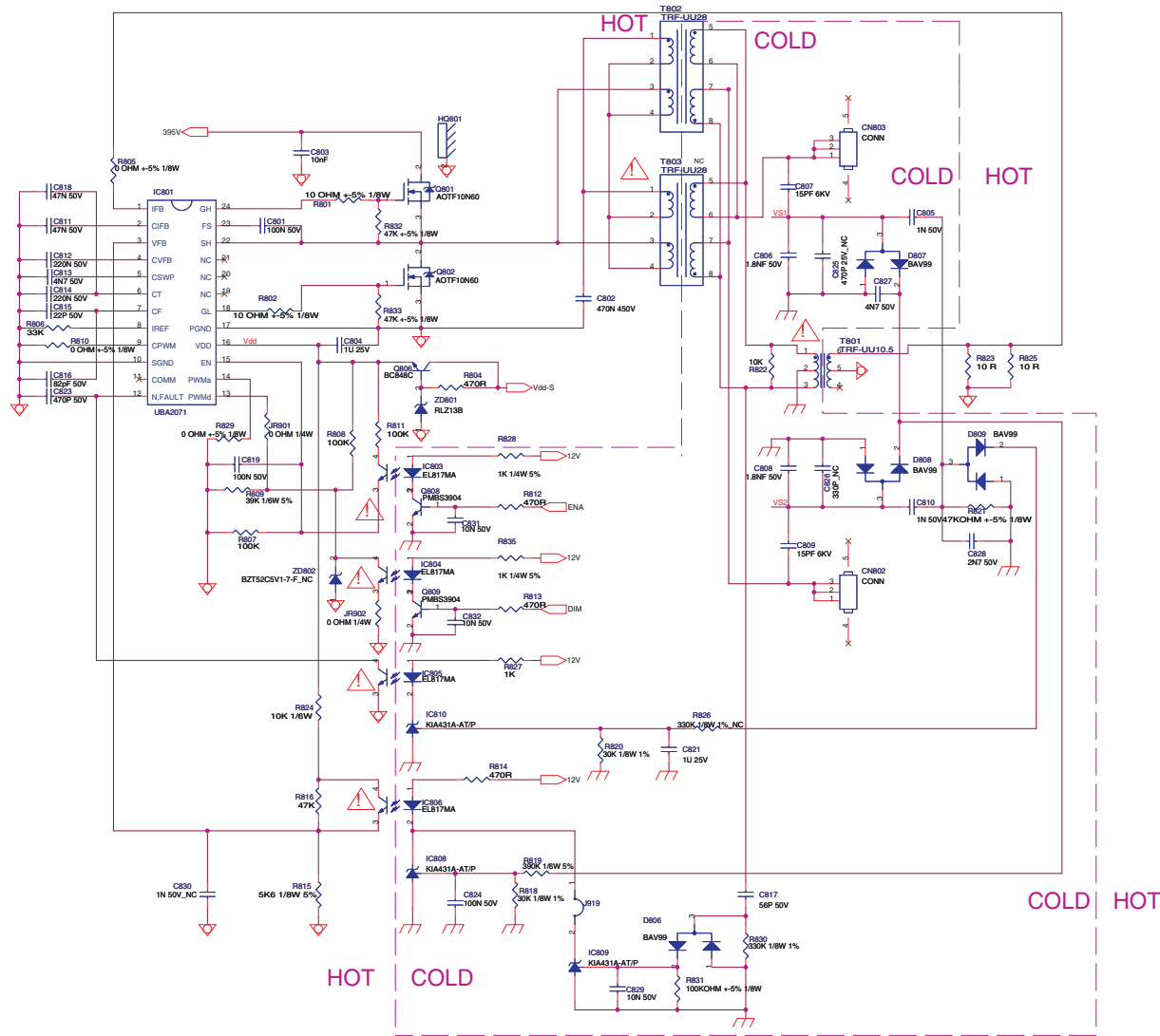
Power Board: Power, 42"



Power Board: Inverter, 42"

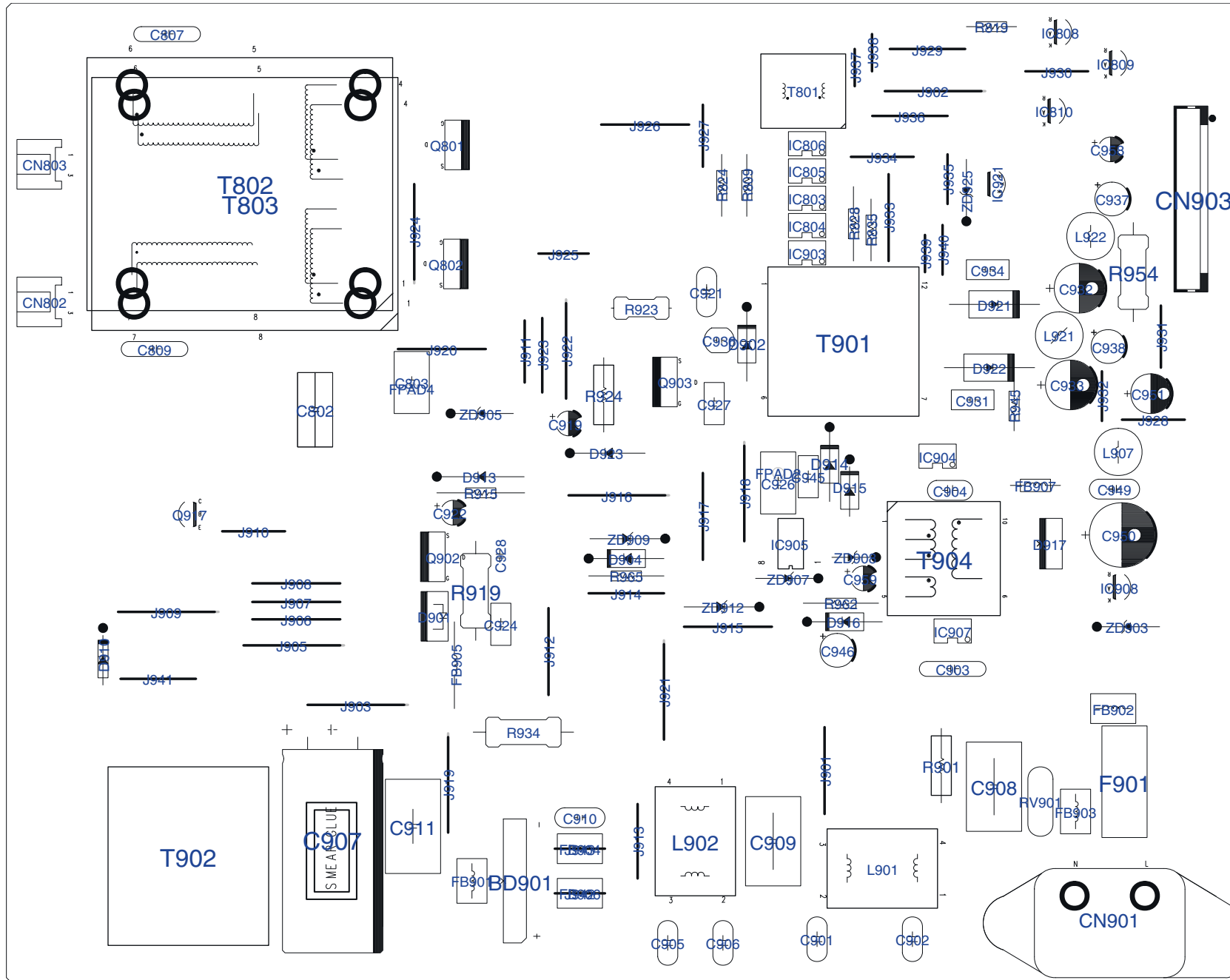
A02 Inverter

A02



- CN802 D7
- CN803 B7
- C801 B4
- C802 C6
- C803 B4
- C804 C4
- C805 B8
- C806 B7
- C807 B7
- C808 D7
- C809 D7
- C810 D8
- C811 B2
- C812 B2
- C813 B2
- C814 C2
- C815 C2
- C816 C2
- C817 F7
- C818 B2
- C819 D4
- C821 E6
- C823 C2
- C824 F5
- C825 B7
- C826 D7
- C827 C8
- C828 D8
- C829 G6
- C830 F3
- C831 D5
- C832 E5
- D806 F6
- D807 B8
- D808 D6
- D809 C8
- HQ801 B5
- IC801 B3
- IC803 D5
- IC804 D5
- IC805 E5
- IC806 F5
- IC808 F5
- IC809 G6
- IC810 E5
- JR901 C4
- JR902 D4
- JR19 F6
- Q801 B5
- Q802 B5
- Q806 C5
- Q808 D5
- Q809 D5
- R801 B4
- R802 C4
- R804 C5
- R805 B3
- R806 C2
- R807 D4
- R808 C4
- R809 D4
- R810 C2
- R811 C4
- R812 D5
- R813 D5
- R814 F5
- R815 F4
- R816 F4
- R818 F5
- R819 F5
- R820 E6
- R821 D8
- R822 C7
- R823 C8
- R824 E4
- R825 C9
- R826 E7
- R827 E5
- R828 D5
- R829 C3
- R830 D7
- R831 G6
- R832 B4
- R833 C4
- R835 D5
- T801 C7
- T802 A6
- T803 B6
- ZD801 C5
- ZD802 D4

Layout Power Board, 42" (Top Side)



Layout Power Board, 42" (Bottom Side)

