

U902 MAIN BOARD

*H001

LOC	Q1	Q2	REMARKS
①	EC43LX	OPEN	SAVED
②	EC43LX	4.7K	LS
③	EC43LX	OPEN	PARASITIC
④	EC43LX	OPEN	ALPS
⑤	EC43LX	OPEN	TAI

*Z130

LOC	Q1	Q2	Q3	Q4
①	OPEN	OPEN	OPEN	OPEN
②	OPEN	OPEN	OPEN	OPEN
③	OPEN	OPEN	OPEN	OPEN
④	OPEN	OPEN	OPEN	OPEN

LOGIC OF Q108

SW1	SW2	OUT
L	L	0
L	L	1
L	H	0
L	H	1
H	L	0
H	L	1
H	H	0
H	H	1

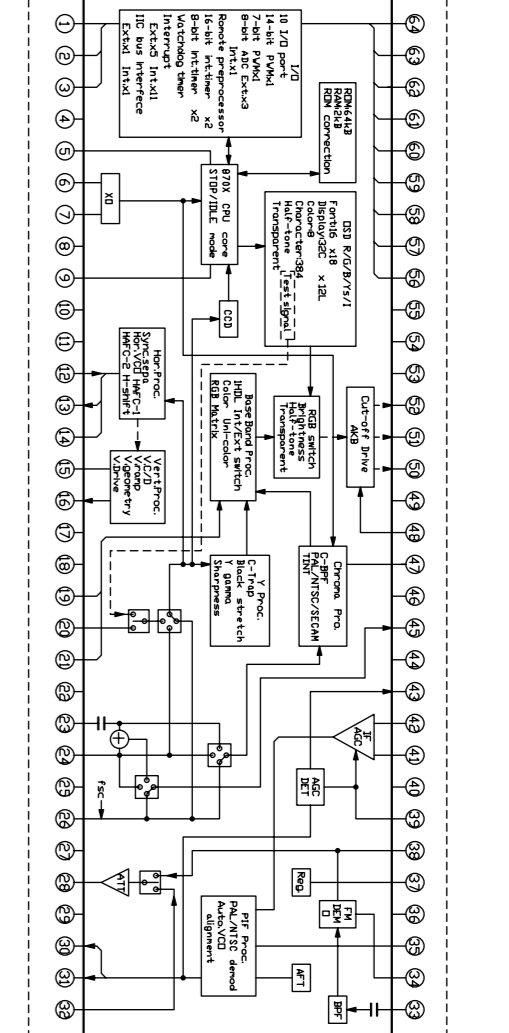
TELETEXT

TEXT	VID TEXT
R30	1/2V2K
R30	KETSU

U901 CRT DRIVE BOARD PD0157

LOCATION	RUSSIA MODELS ONLY	OTHER MODELS
L008	COLTRF840	SHORT
L009	COLTRF840	SHORT
C009	50V80YF	KETSU
C010	50V80YF	KETSU
C011	50V80YF	KETSU
C009	50V80YF	KETSU
C008	50V80YF	KETSU
C003	50V80YF	KETSU
R002	1/4W 1K	SHORT
R003	1/4W 1K	SHORT
R001	1/4W 1K	SHORT
C008	50V 30P	KETSU
L004	COLTRF400AF	KETSU
R002	1/4W300 10M	SHORT
Z001	TRMP39042	KETSU
R403	KETSU	R3142C38J4

IF/VIDEO/CHROMA TMP8801



*KETSU means open the circuit.

14V2/20V2
21V1/21V2
SERIES

POWER CORE

CHINA	25V 2.5A
HONG KONG	25V 1.5A
RUSSIA	25V 1.5A
AUSTRALIA	25V 1.5A
TAIWAN	25V 7A

CAUTION
DO NOT USE DIGITAL VOLTMETER FOR
READING COLLECTOR VOLTAGE OF Q44