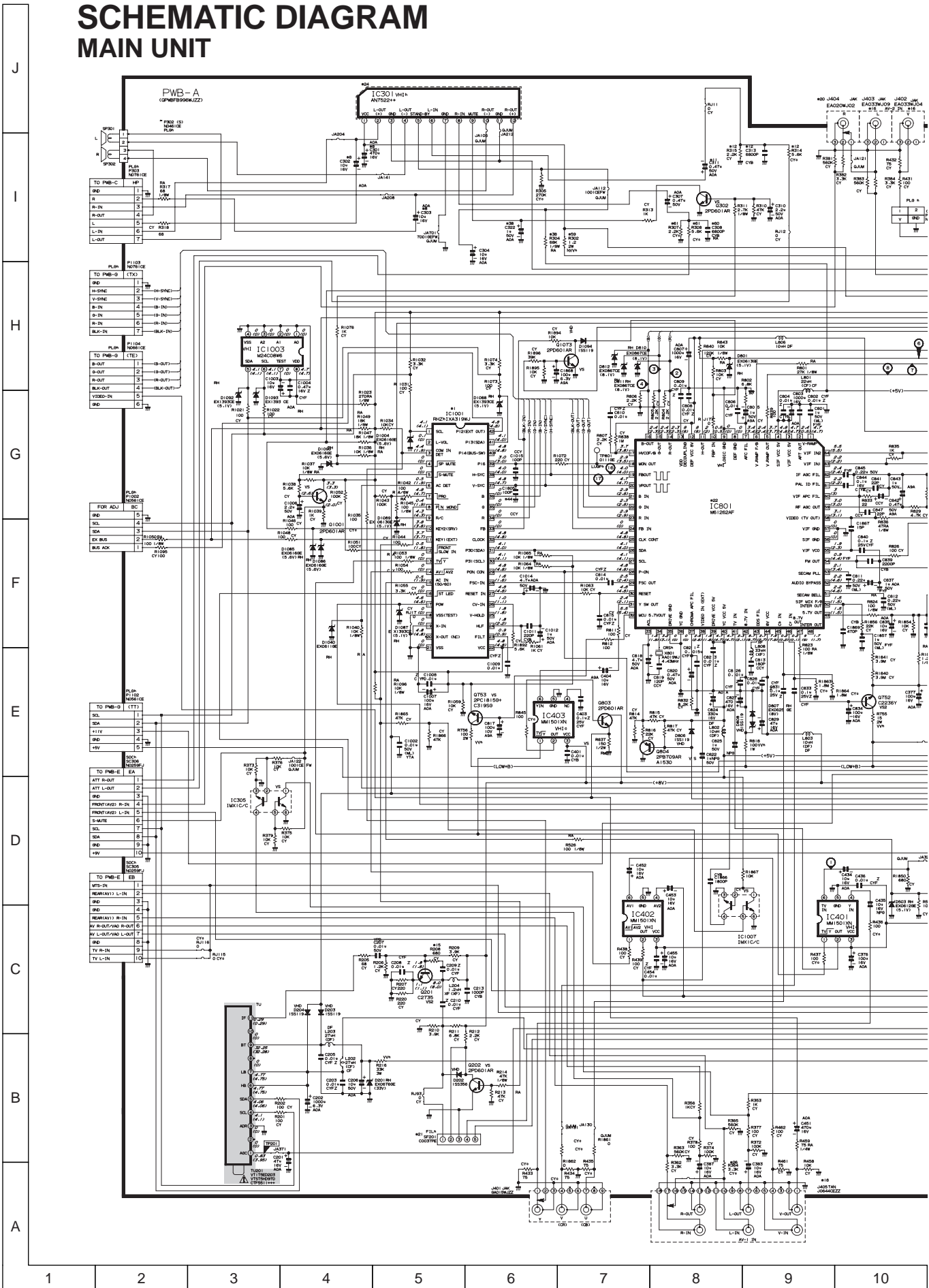
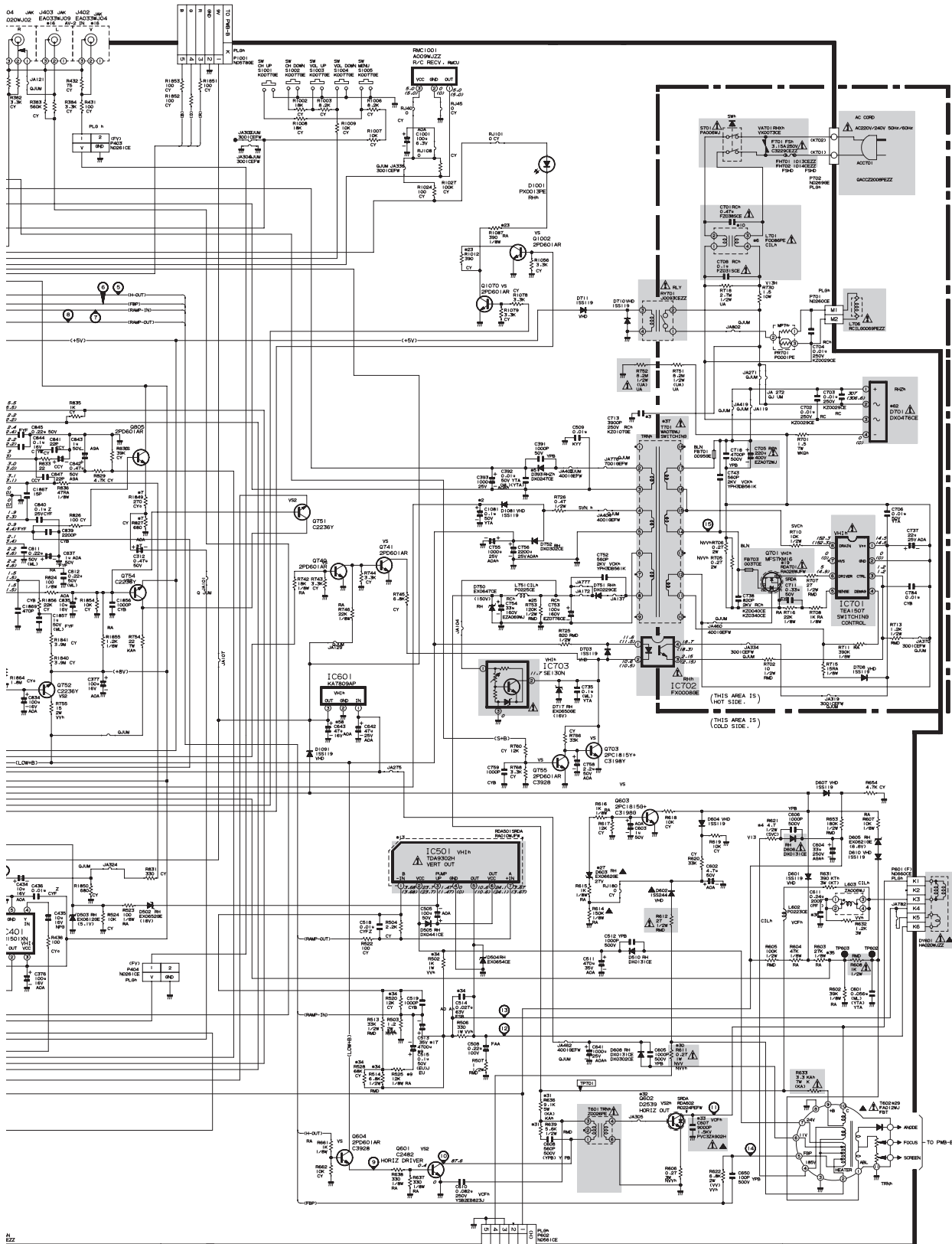


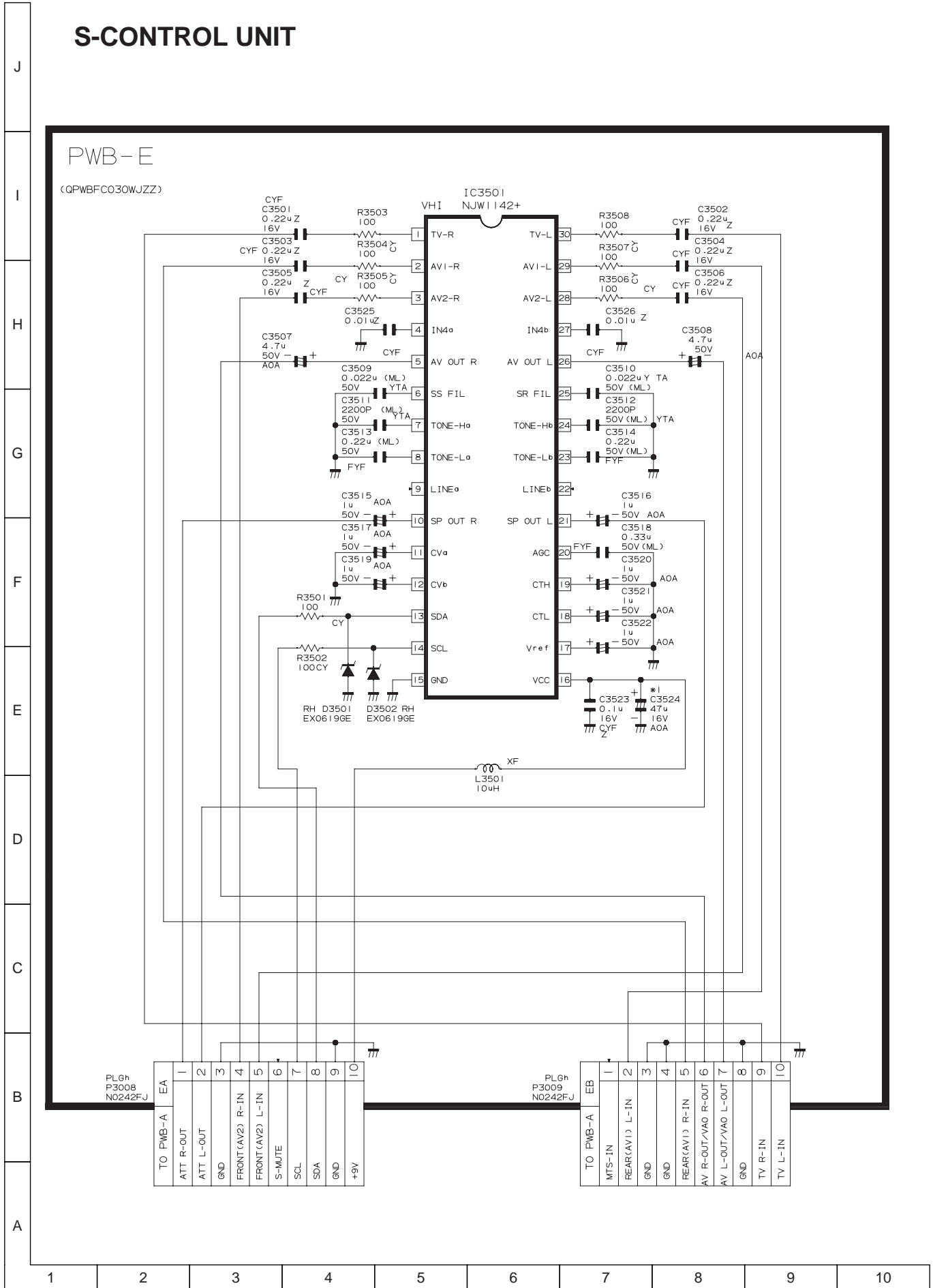
SCHEMATIC DIAGRAM MAIN UNIT





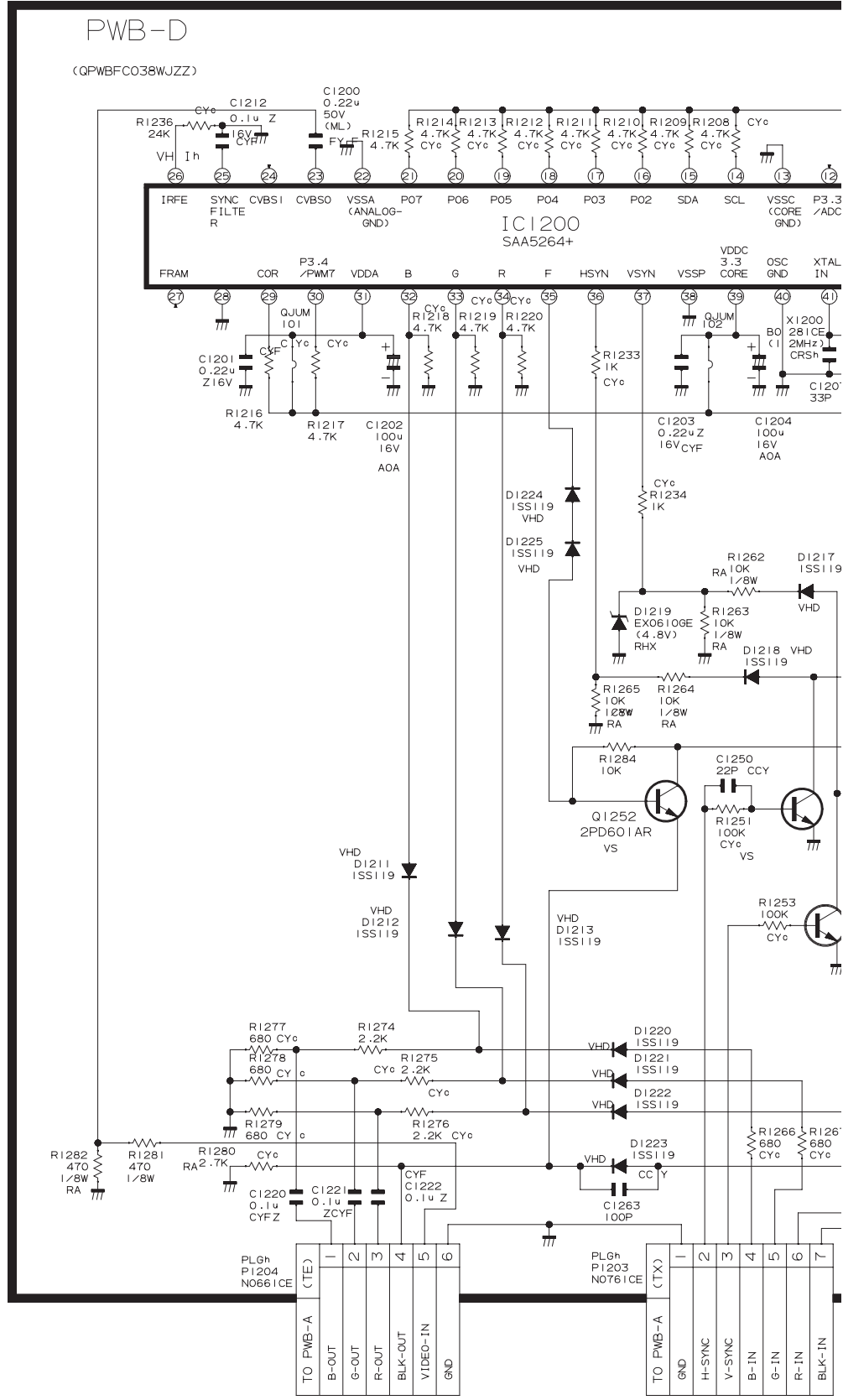
10	11	12	13	14	15	16	17	18	19
----	----	----	----	----	----	----	----	----	----

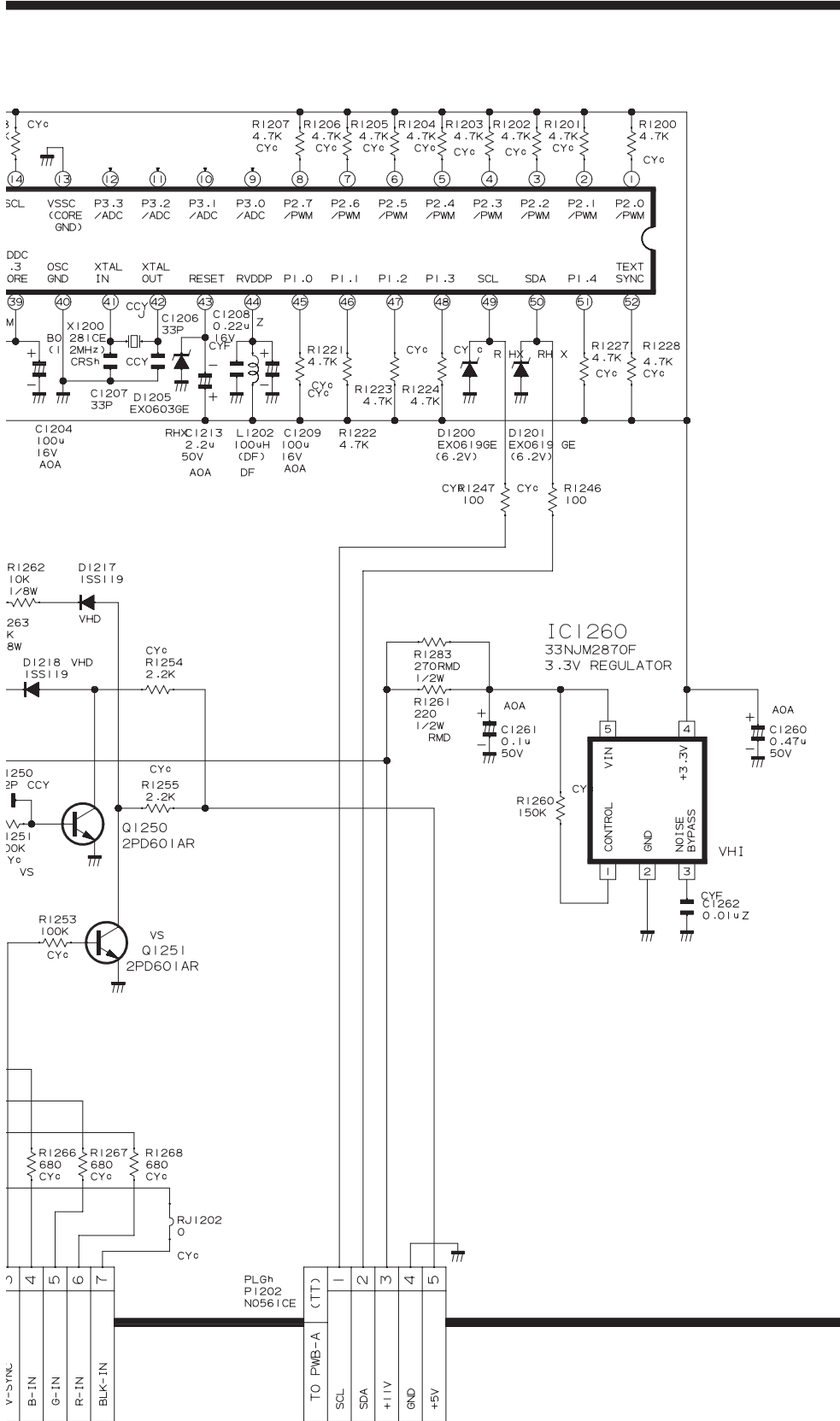
S-CONTROL UNIT



TELETEXT UNIT

J
I
H
G
F
E
D
C
B
A





10	11	12	13	14	15	16	17	18	19
----	----	----	----	----	----	----	----	----	----