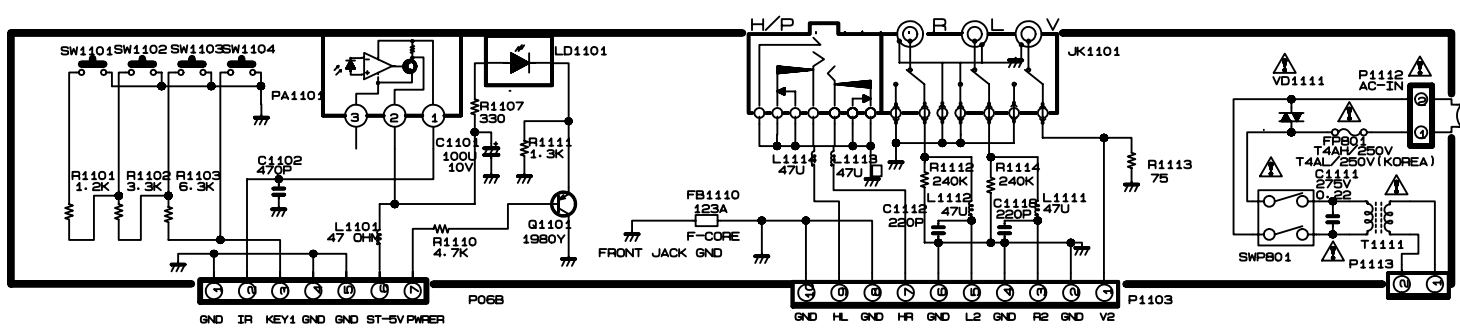
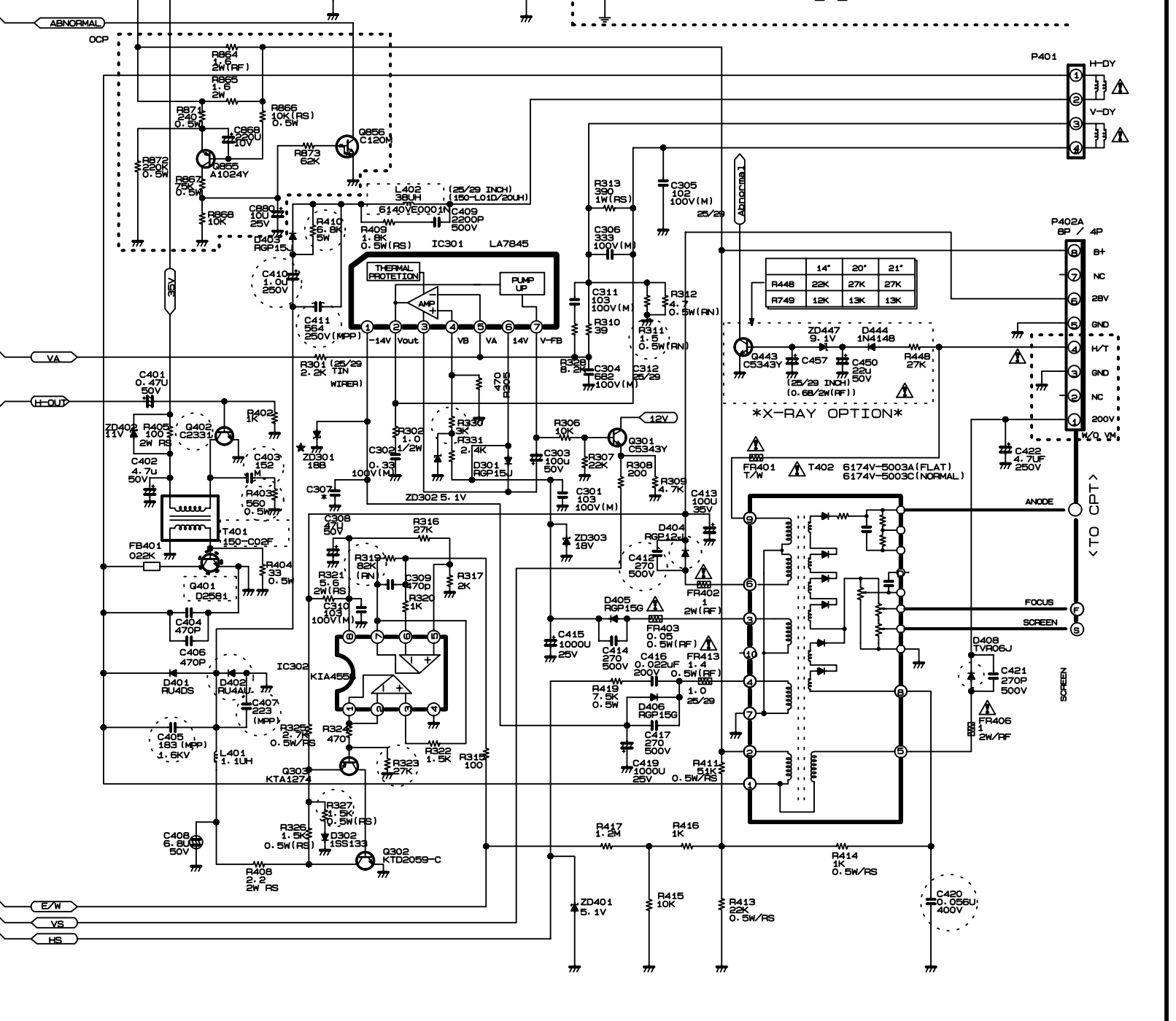
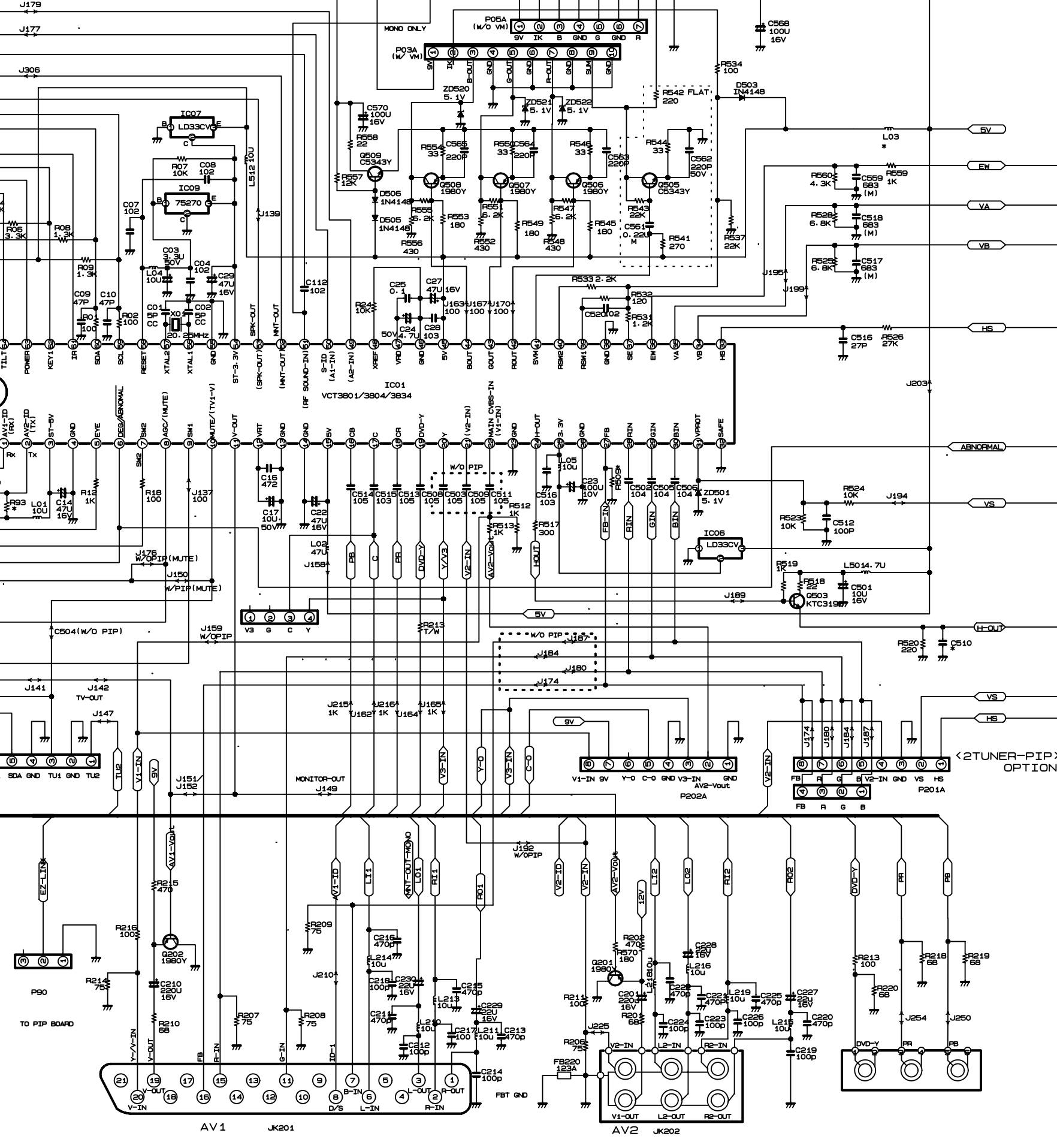
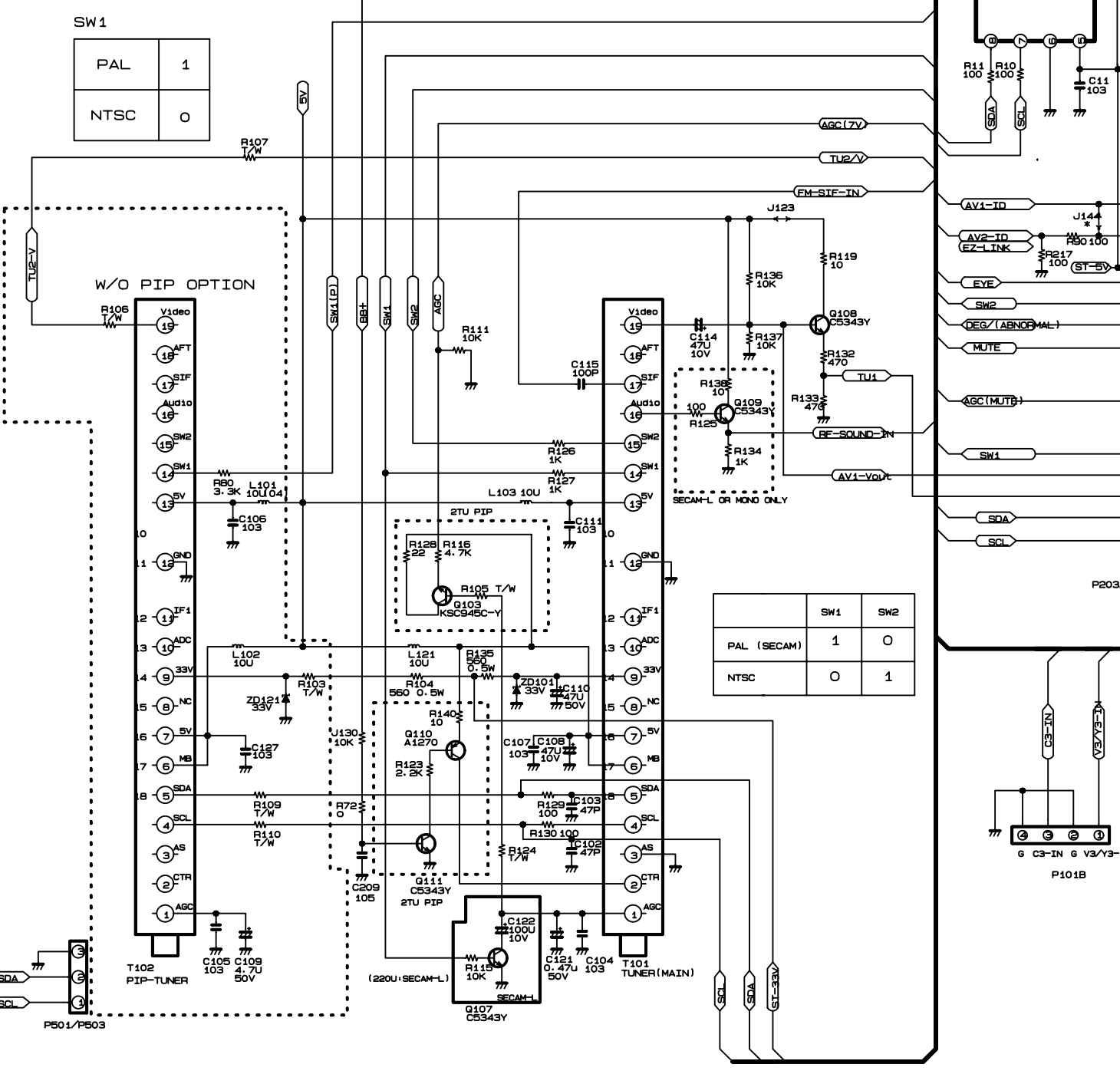
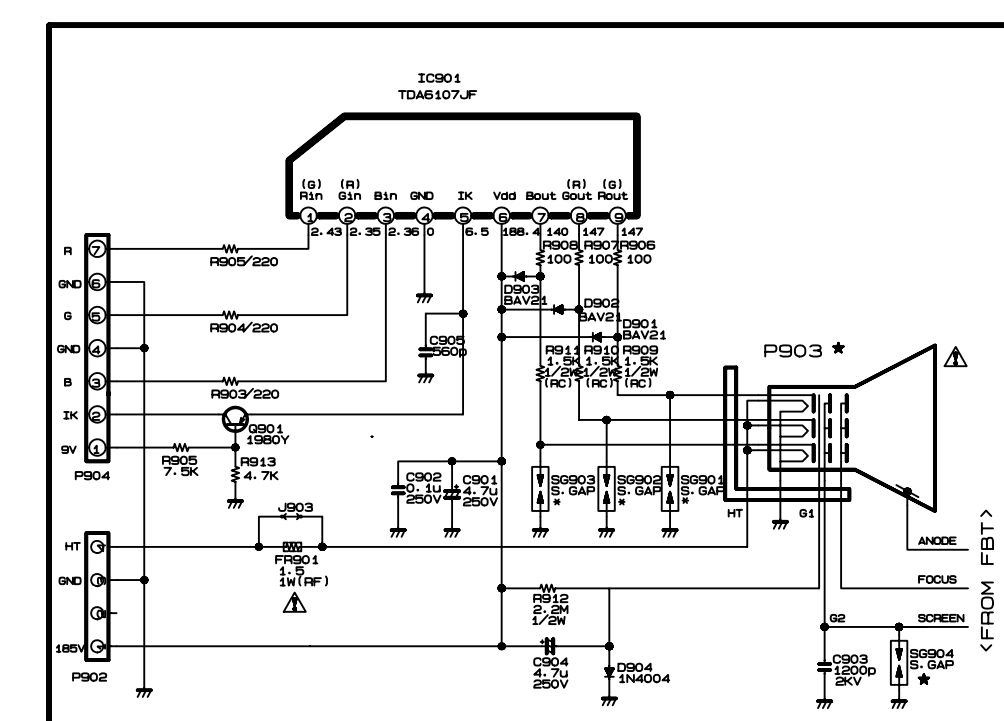
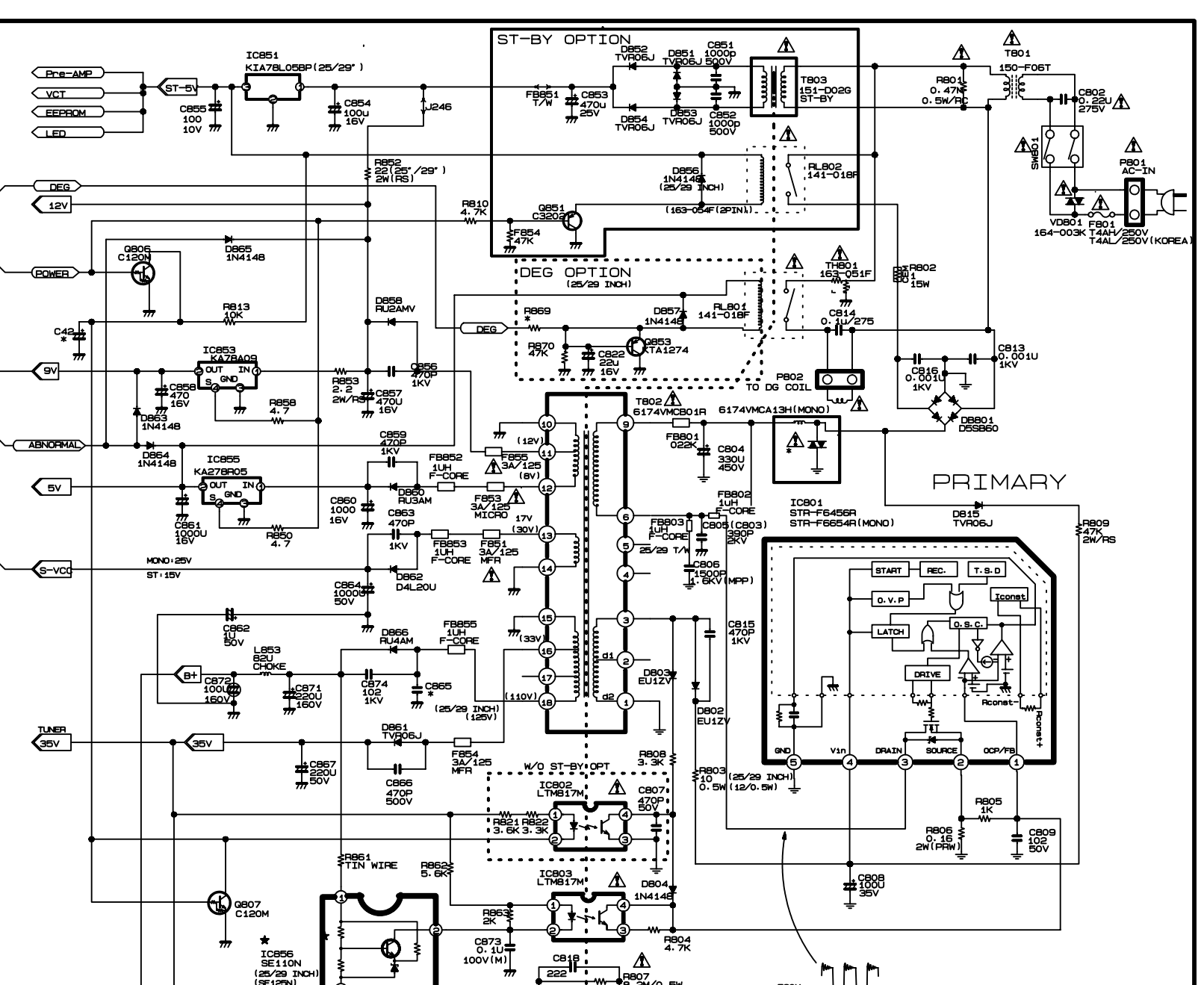
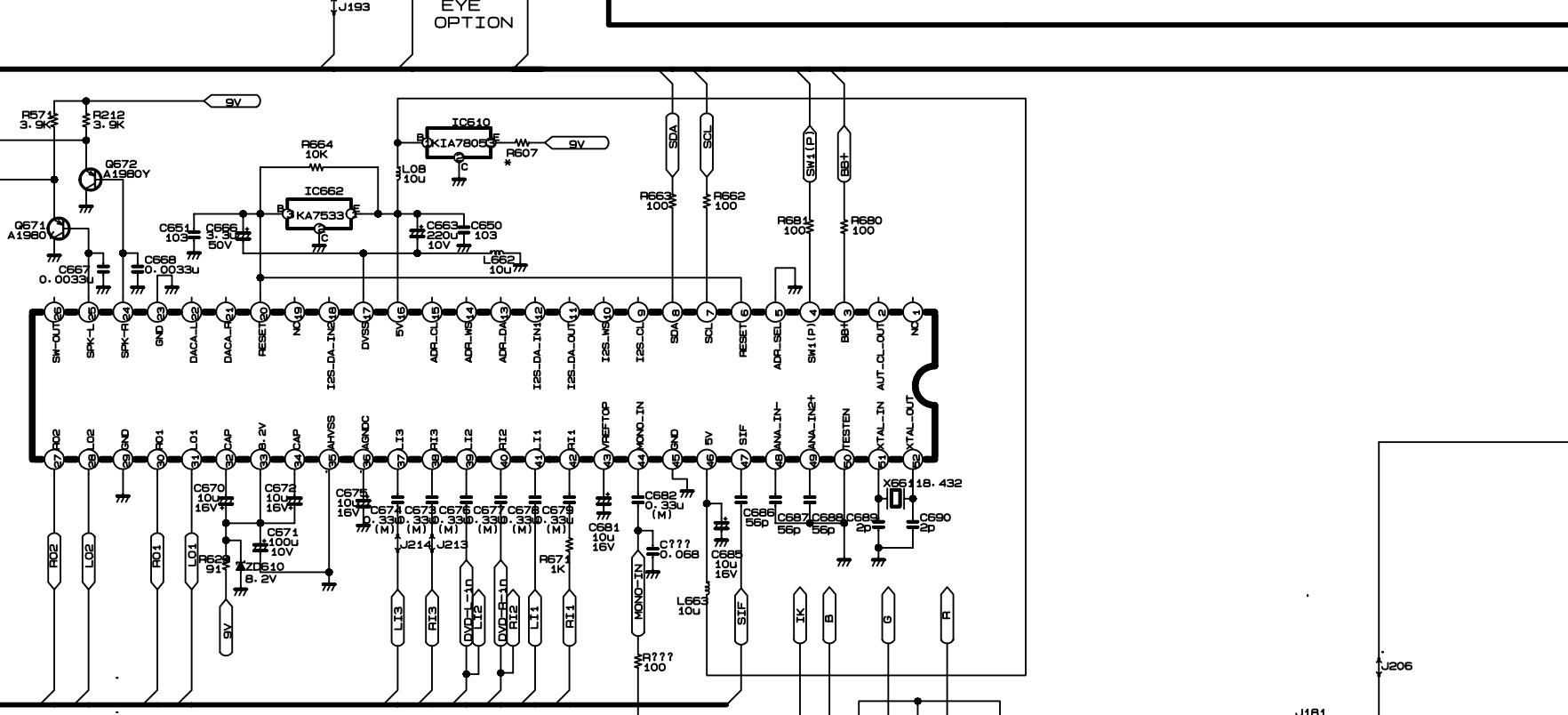
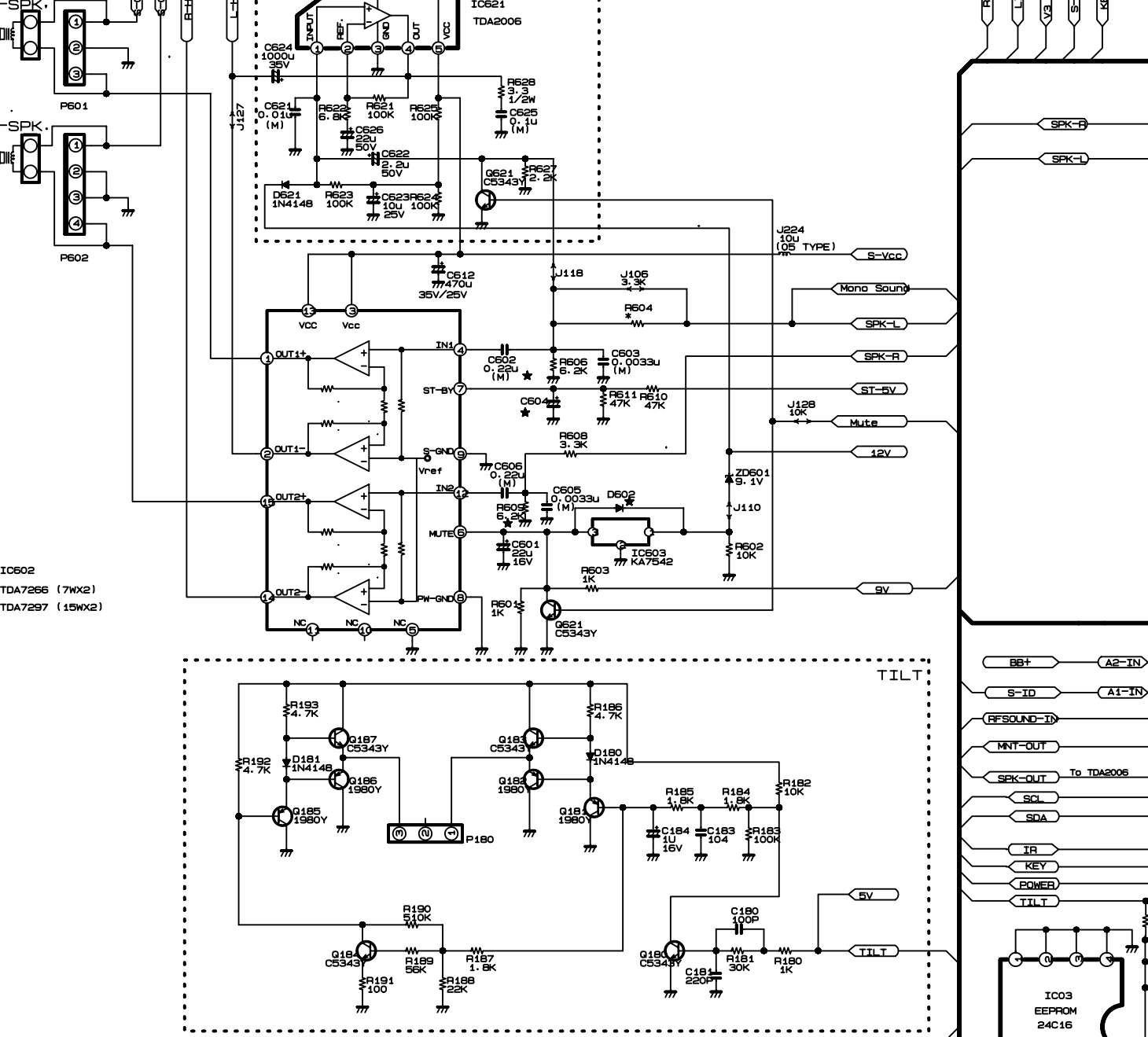
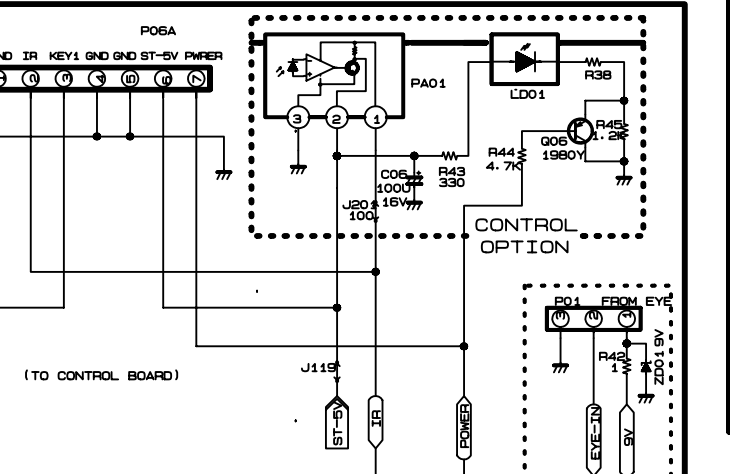
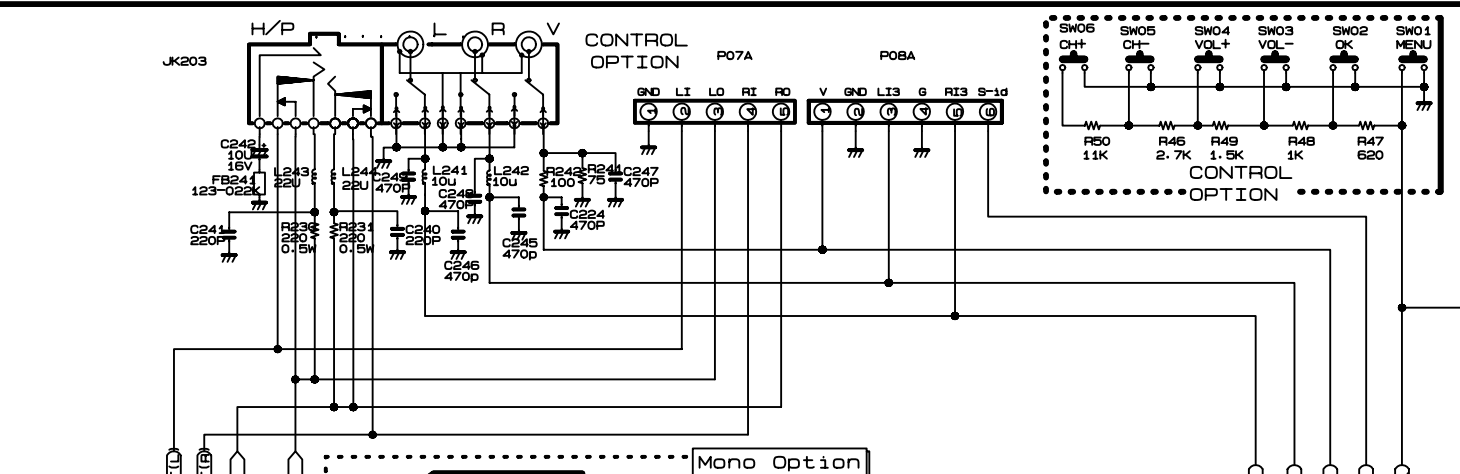
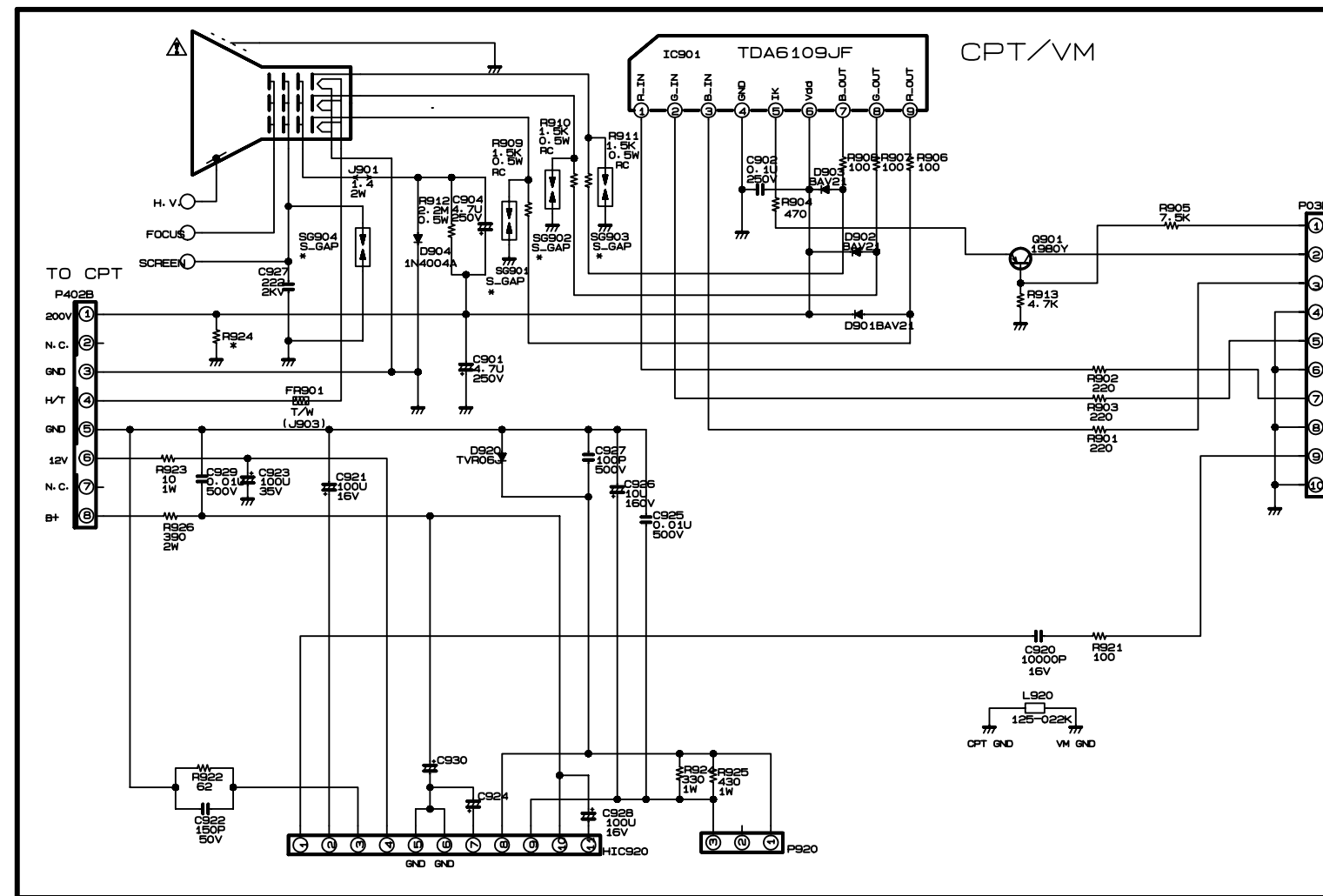
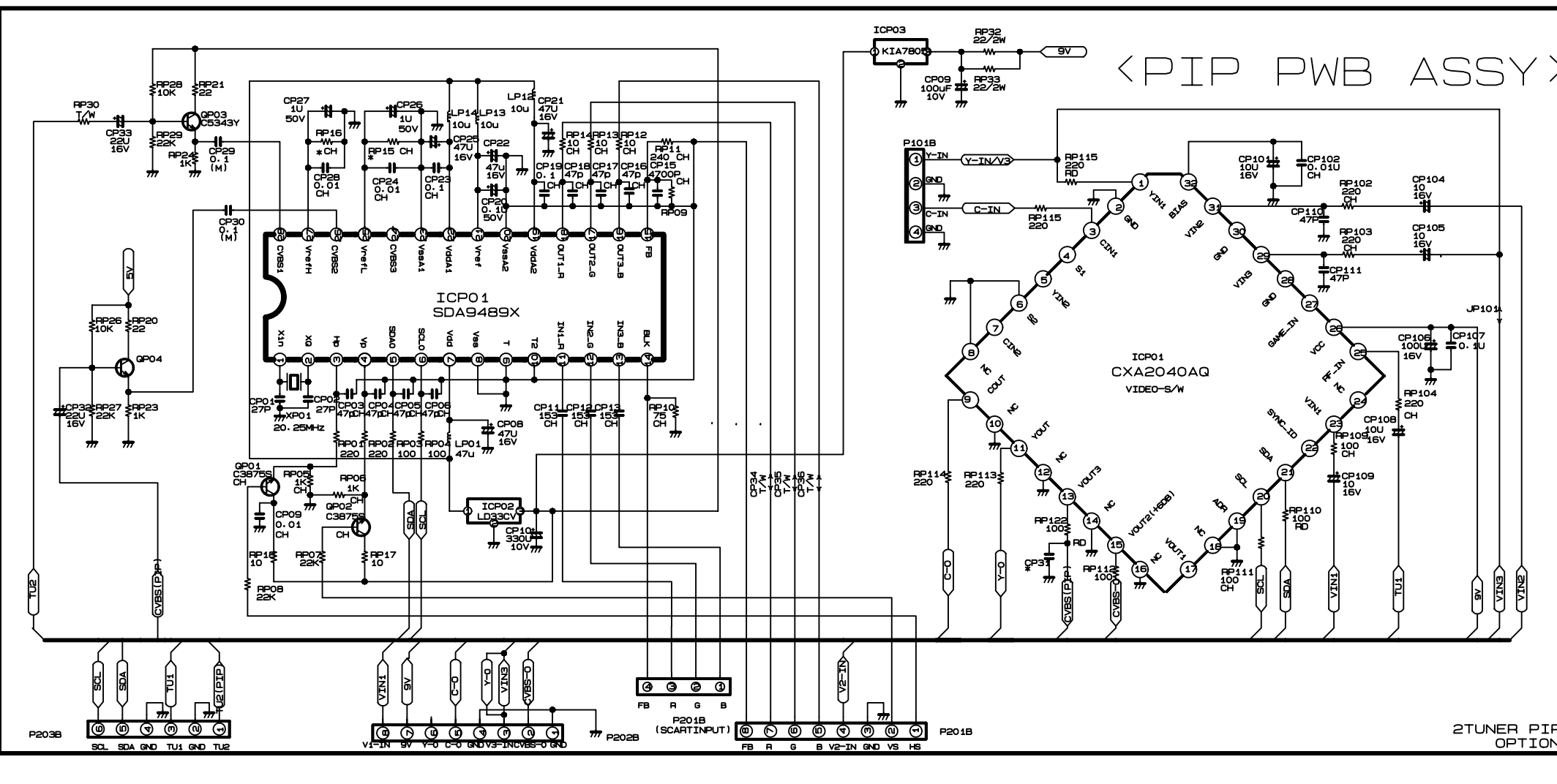
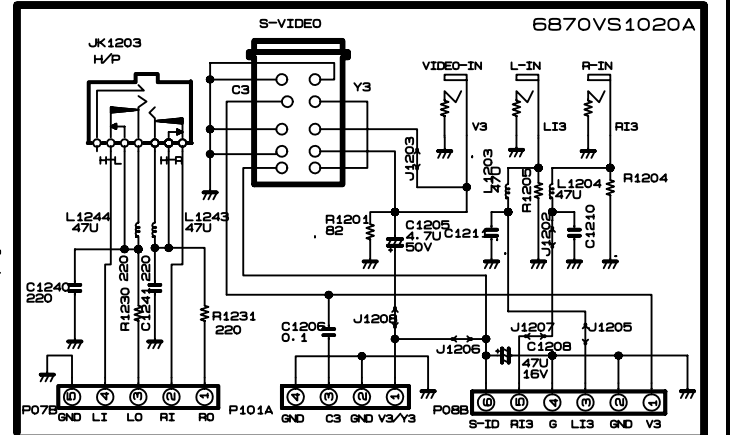


# SCHEMATIC DIAGRAM OF MC-022A [PANG PANG +]

<Q20 CONTROL PWB ASSY>



SIDE A/V BOARD



**NOTICE**  
 Since this is basic circuit diagram, the value of components and some partial connection are subject to be changed for improvement without notice.

The components marked  $\Delta$  conform to VDE or IEC safety-class and are essential for safe operation of the TV receiver, while those marked  $\nabla$  are required for correct operation. Use specified parts only when replacing.

**Value of resistor, capacitor and inductor**  
 1. Resistances are shown in ohm, 1K=1,000, 1M=1,000,000.  
 2. Unless otherwise noted in schematic, all capacitor values less than 1 are expressed in pF and the values more than 1 in  $\mu$ F.  
 3. Unless otherwise noted in schematic, all inductor values more than 1 are expressed in mH and the values less than 1 in henry(mH).

**Observation of voltages and waveforms**  
 1. Voltages read with VTVM from point to chassis ground.  
 Line voltage is 200V/230V volts. signal pattern is colour-bar, representative only.  
 2. All waveforms are taken using a wide band oscilloscope and a low capacity probe.  
 3. Check FINE TUNING, AGC, CONTRAST, BRIGHTNESS and COLOUR controls for best picture. Make sure that COLOUR and BRIGHTNESS are in stop-point and CONTRAST is in 75%.  
 4. Waveforms are taken using a standard colour signal.

<OPTION>
