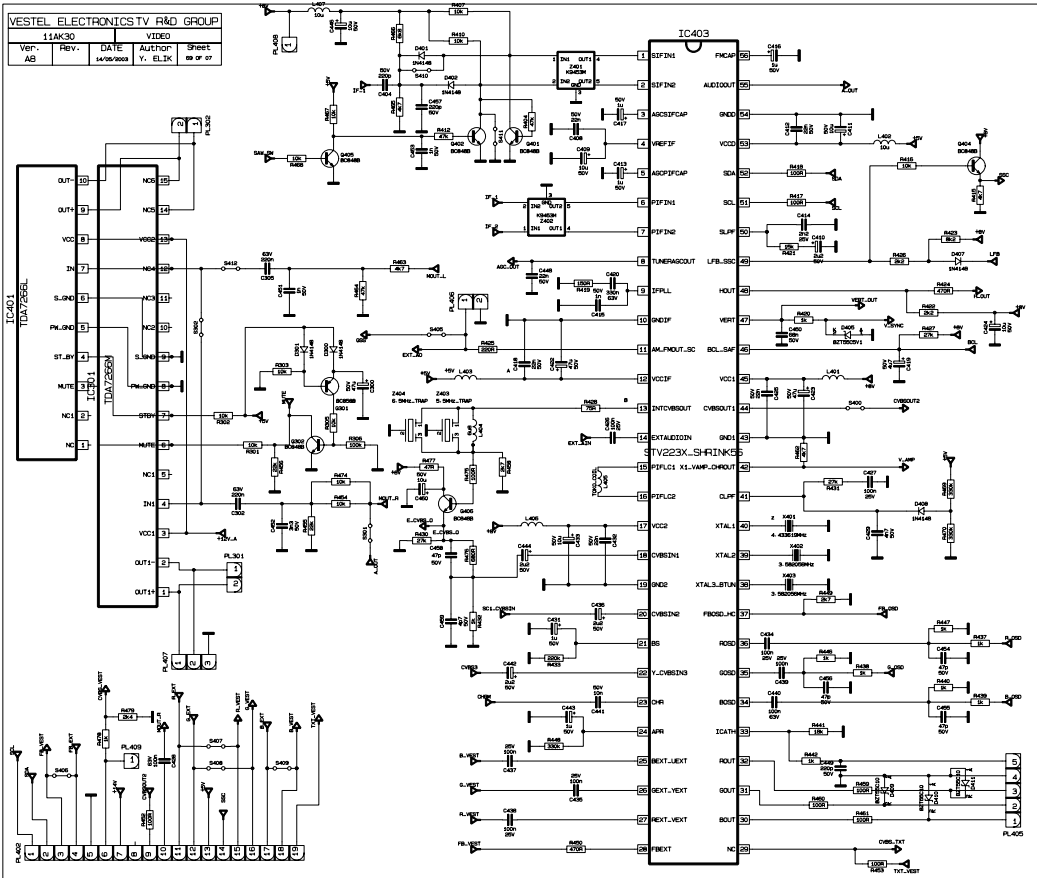
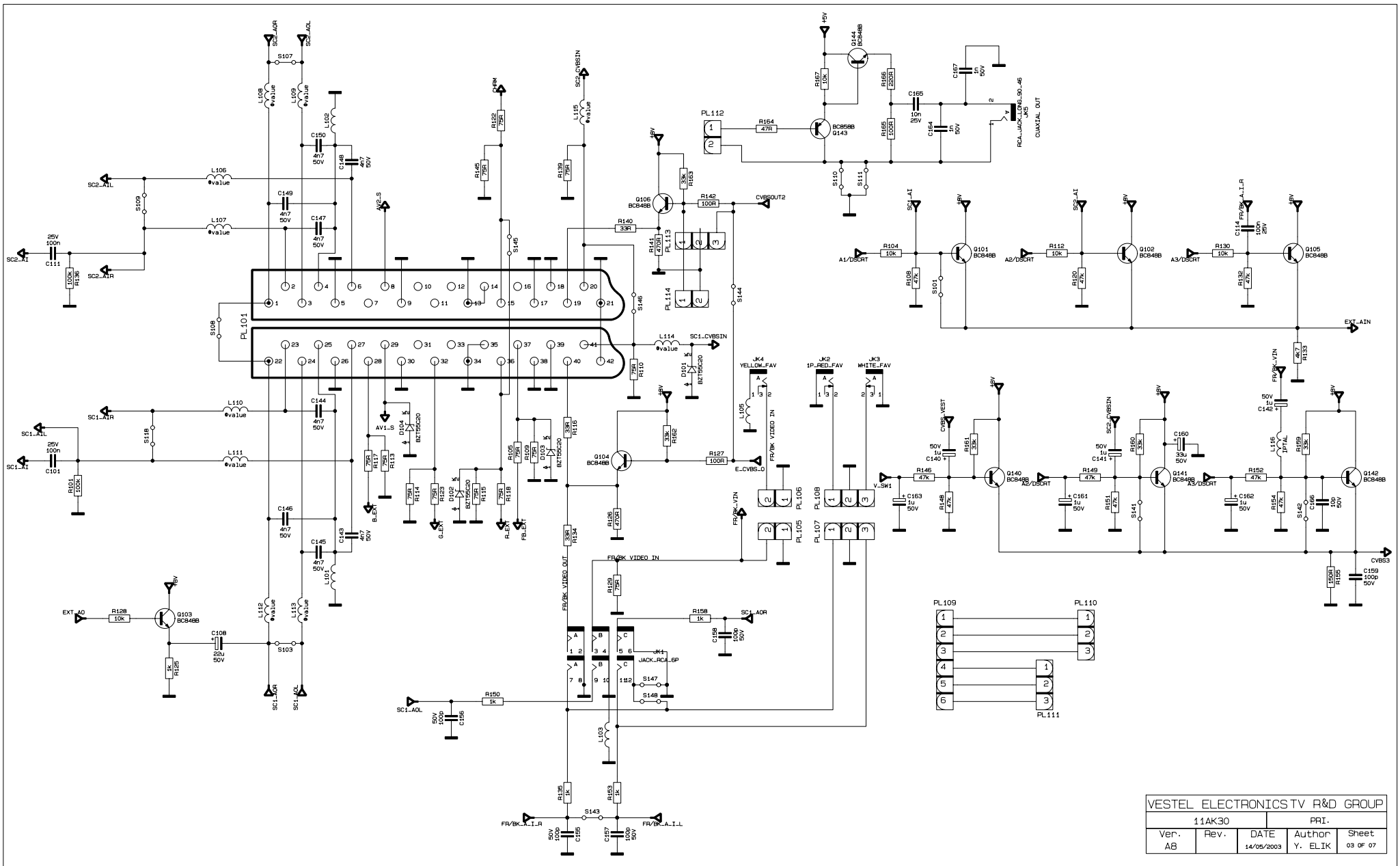
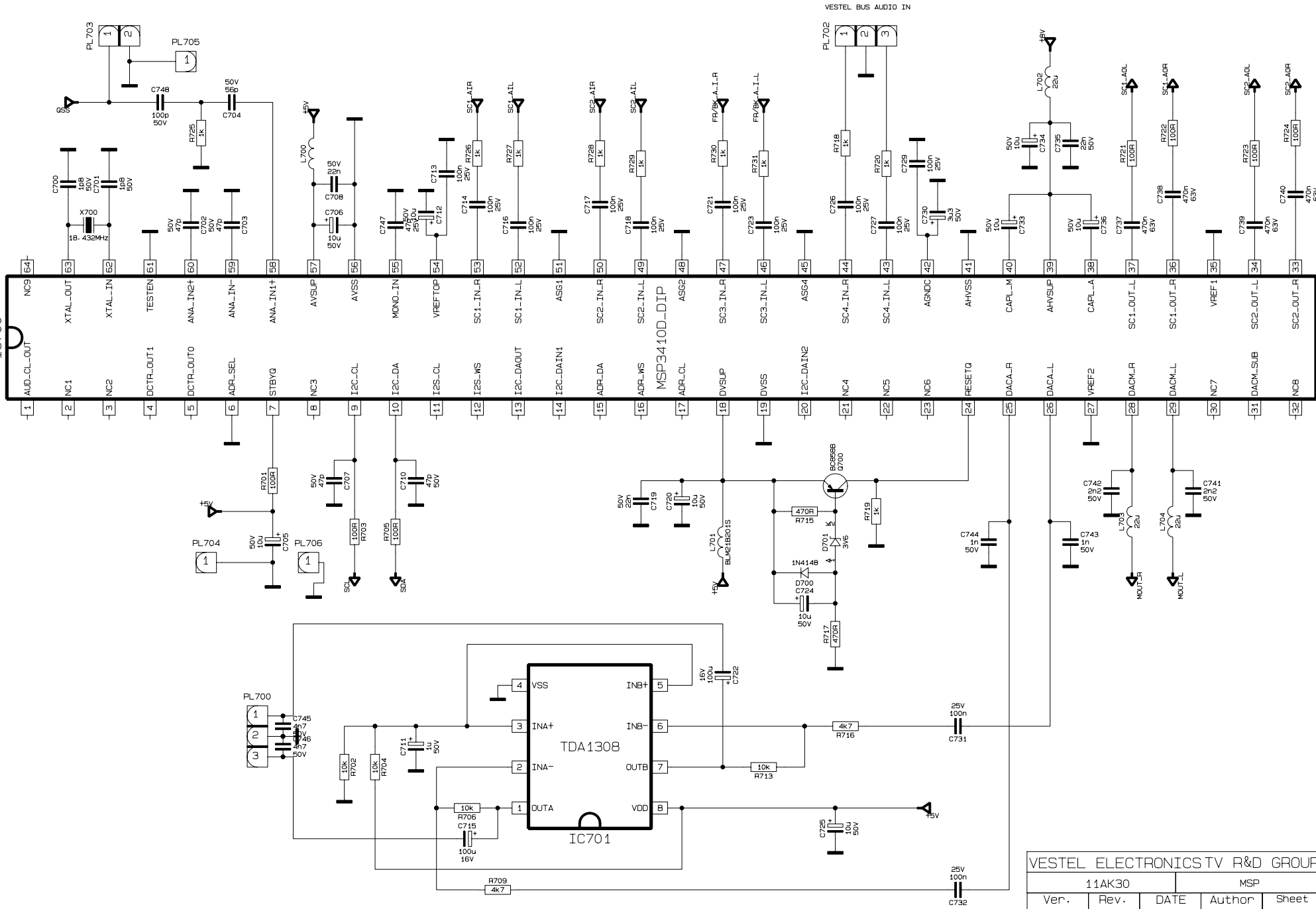


VESTEL ELECTRONICS TV R&D GROUP				
11AK30		CONTROLLER		
Ver. AB	Rev.	DATE 14/06/2003	Author Y. ELIK	Sheet 01 OF 07

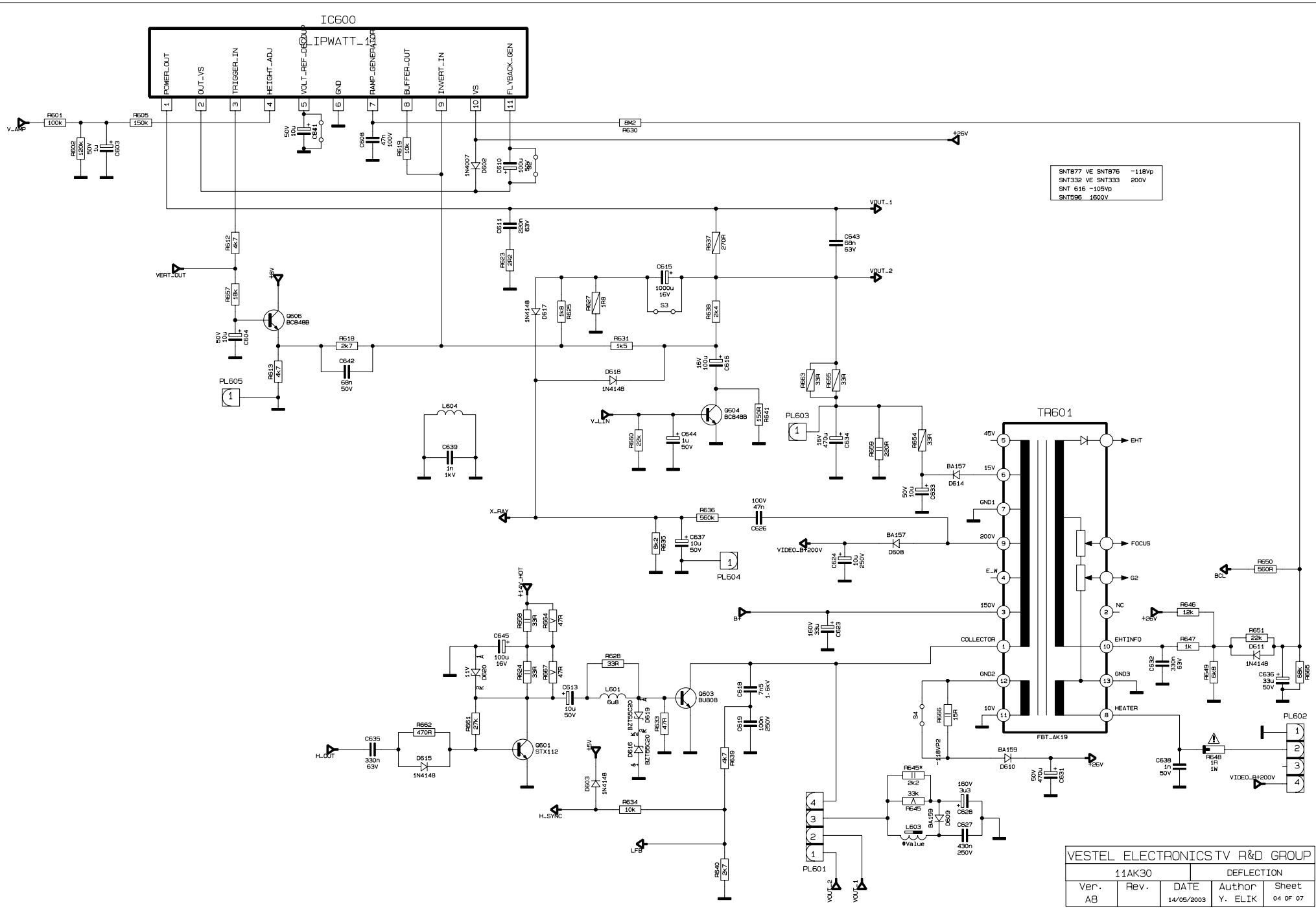




IC700



VESTEL ELECTRONICSTV R&D GROUP				
11AK30		MSP		
Ver. AB	Rev.	DATE 14/05/2003	Author Y. ELIK	Sheet 07 OF 07



SNT877 VE SNT876 -118Vp
 SNT332 VE SNT333 200V
 SNT 516 -108Vp
 SNT596 1600V

VESTEL ELECTRONICS TV R&D GROUP				
11AK30			DEFLECTION	
Ver.	Rev.	DATE	Author	Sheet
AB		14/05/2003	Y. ELIK	04 OF 07

IC900

TDA6107Q

VESTEL ELECTRONICS TV R&D GROUP			CRT BOARD	
11AK30		DATE		
Ver. A8	Rev.	14/05/2003	Author Y. ELIK	Sheet 08 OF 07

