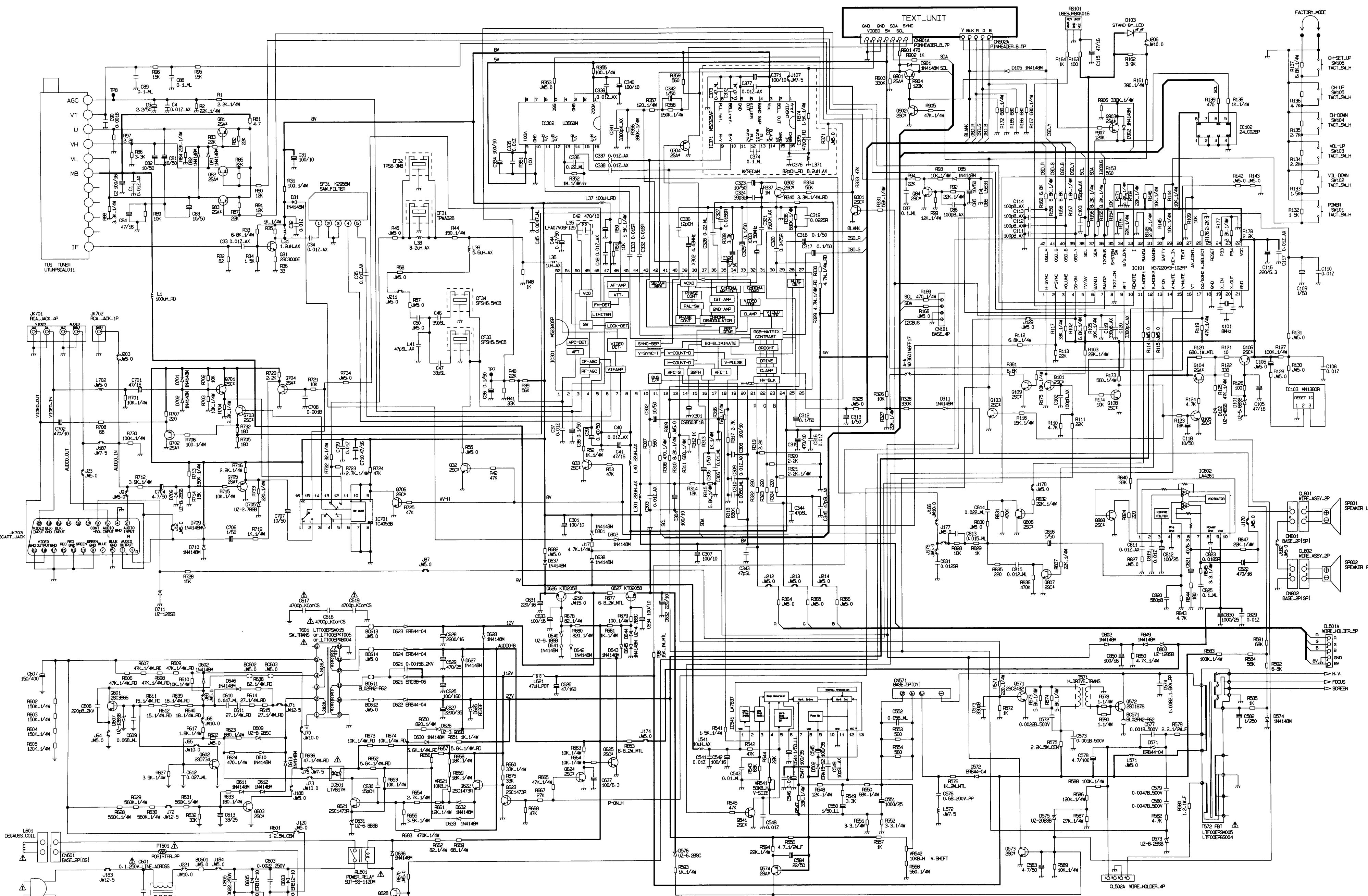


Main Schematic Diagram

F
E
D
C
B
A



Warning: To prevent electric shock and fire hazard, disconnect main plug before fuse replacement and replace only with marked. (Fuse : T4AL 250V/T4AH 250V)

NOTE: CHASSIS SCHEMATIC DIAGRAM NOTES:
 1. ALL RESISTOR VALUES ARE IN OHMS, K=1000, M=10000.
 2. ALL CAPACITANCE VALUES ARE IN P.F. UNLESS OTHERWISE NOTED. P.F.=P.F.
 3. SAFETY REQUIREMENTS COMPONENTS IN ACCORDANCE WITH PRESENT SAFETY REGULATIONS. THESE COMPONENTS MUST ONLY BE REPLACED BY ORIGINAL PARTS.
 4. # IS COLD GROUND.
 5. # IS HOT GROUND.
 6. WAVEFORM READINGS.
 7. NO. INDICATED 254 ARE USED AT IC301 (GR1)/ATC3198 (GR1)/25C333 (11)/25C333 (11)/25C1815 (GR1).
 8. NO. INDICATED 254 ARE USED AT IC302 (GR1)/ATC3198 (GR1)/25A1318 (11)/25C1318 (11)/25A1015 (GR1).

1 2 3 4 5 6 7 8 9