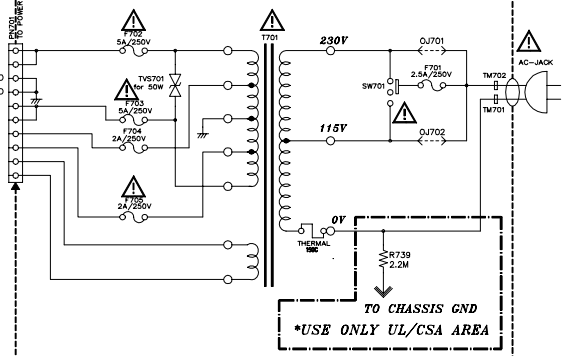


	F-515	F-513
R746	X	10
R747	T/W	10
R748	T/W	10
R749	X	10
R792	15K	47K
R793	15K	39K
ZD704	33V	27V

\*MTB OPTION

	VOLTAGE AREA		
	115V	230V	DOUBLE VOLTAGE
OJ701	X	0	X
OJ702	0	X	X
SW701	X	X	0
F701	X	X	0
TVS701	X	X	0
WIRE	X	X	0



TO CHASSIS GND  
\*USE ONLY UL/CSA AREA