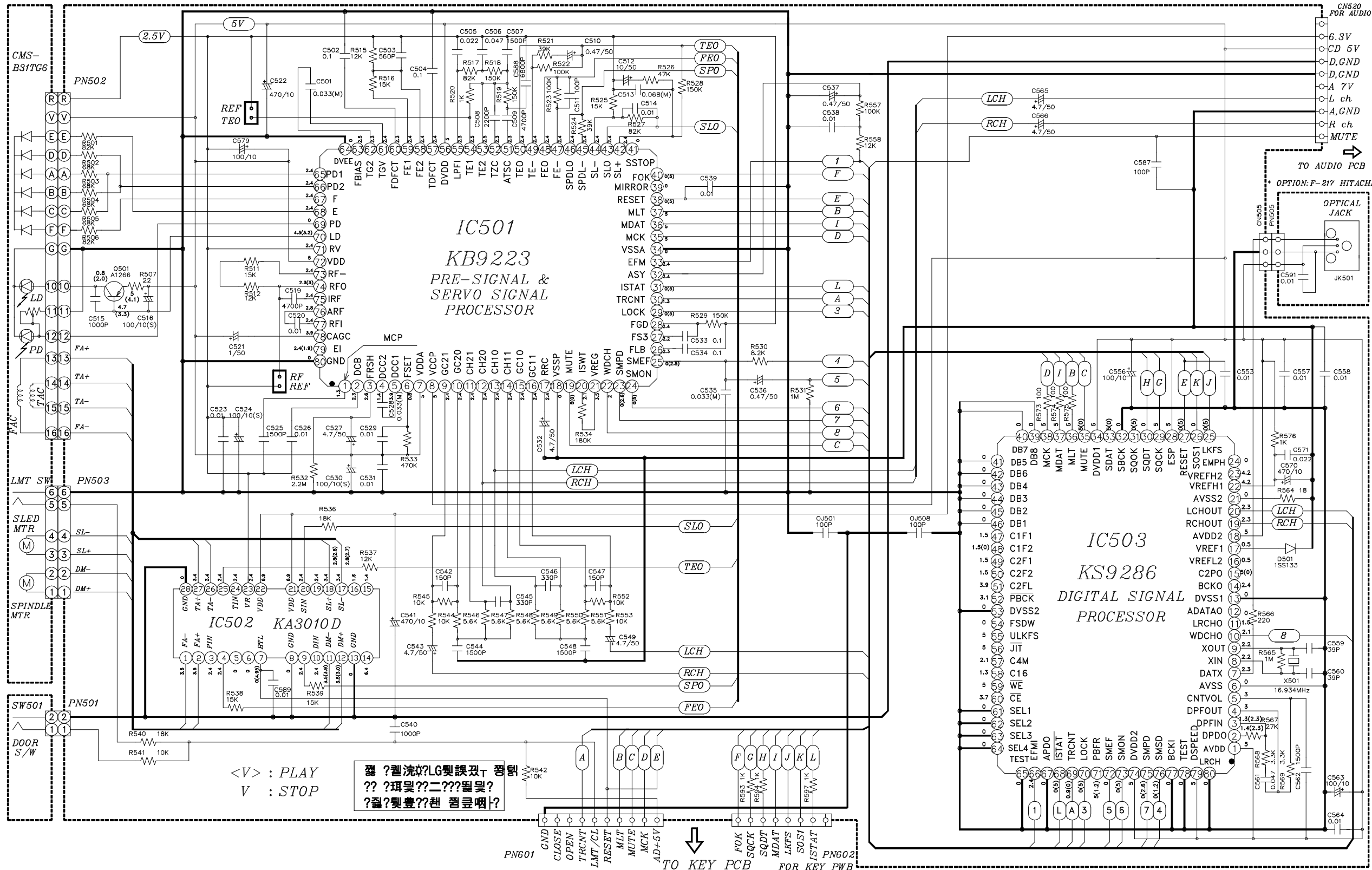


ANT JACK	2BAND	AX 2BAND	2 BAND	LW BAND
OJ1	X	X	O	X
OJ2	O	O	O	X
OJ3	X	X	O	X
OJ6	O	O	X	O
OJ7	X	O	O	X
OJ8	X	X	X	X
OJ10	O	O	O	O
C1	O	O	X	O
OJ50	O	O	O	X
OJ60	X	X	X	O
OJ61	X	X	X	O
OJ62	X	X	X	O
OJ63	X	X	X	O
OJ64	X	X	X	O

NO	SYMBOL	FOR CE			NON CE	NOTE
		A	AD	AX	A	
1	TUN101	6700SCF001B	001C	001E	6700SCF001?	
2	JK1	6800S-A002A			561-101B	ANT JACK
3	CF2	0	0	0.022(C)	0.022(C)	10.7MHz CE
4	CF3	0	0	X	X	10.7MHz CE
5	OJ2	10uH	10uH	TIN WIRE	TIN WIRE	
6	OJ7	X	X	0	0	TIN WIRE
7	FB1	BEAD	BEAD	BEAD	TIN WIRE	
8	R5	TIN WIRE	TIN WIRE	10	TIN WIRE	
9	R6	120	120	82	120	
10	R22	100	100	120	100	
11	R36	24K	24K	24K	3.9K	
12	R38	4.7K	4.7K	1.8K	1.8K	
13	R30,31	10K	10K	10K	18K	
14	C56	X	TIN WIRE	X	X	
15	D70	TIN WIRE	TIN WIRE	TIN WIRE	TIN WIRE	
16						
17						



CN520
FOR AUDIO

TO AUDIO PCB

* OPTION: F-217 HITACHI

OPTICAL JACK

JK501

CN505

CN501

CN505

CN501

CN505

CN501

CN505

CN501

CN505

CN501

CN505

CN501

CN505

CN501

CN505

CN501

CN505

CN501

CN505

CN501

CN505

CN501

CN505

CN501

CN505

CN501

CN505

CN501

CN505

CN501

CN505

CN501

CN505

CN501

CN505

CN501

FEATURE: 12 GRID 18 ANODE 3 COLORS

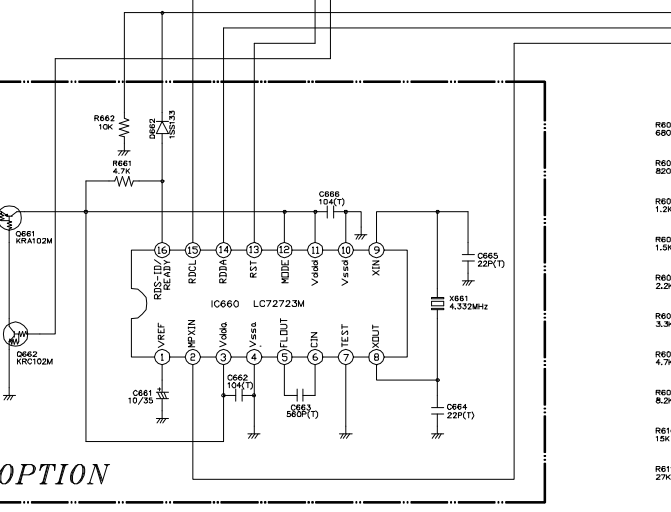
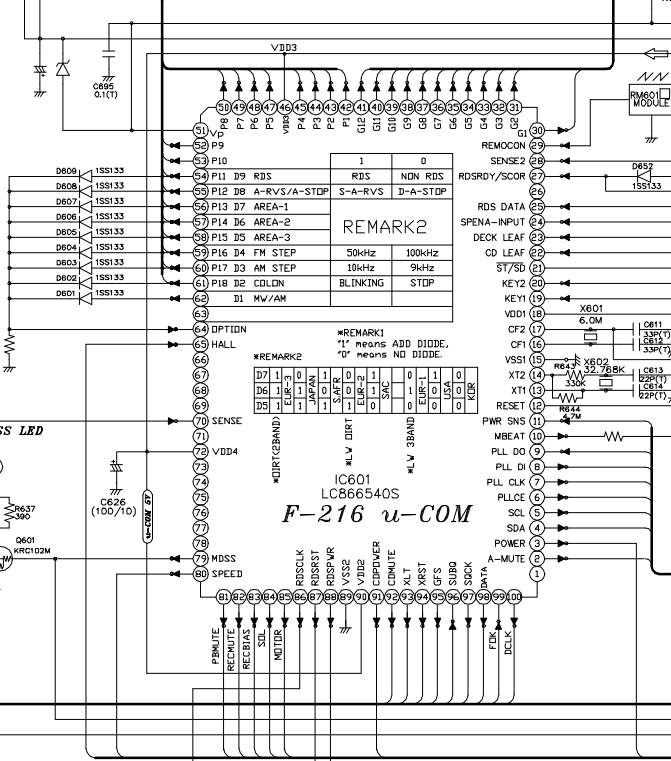
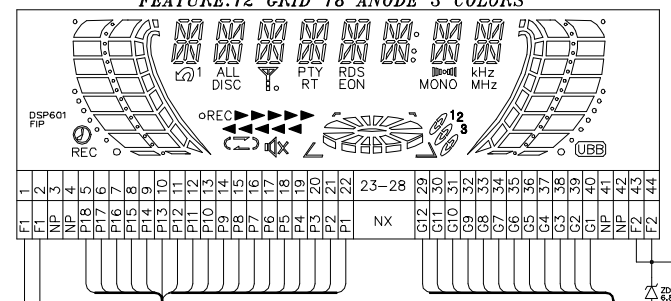
FL601

*TR OLD NEW NO LIST

polarity	OLD NO	NEW NO	R1	R2
NPN	KRC1203	KRC103M	22K	22K
	KRC1210	KRC110M	4.7K	-
	KRC111M	KRC111M	10K	-
PNP	KRA2202	KRA102M	10K	10K
	KRA2203	KRA103M	22K	22K
	KRA2204	KRA104M	47K	47K

*TR OLD NEW NO LIST

OLD NO	NEW NO
KTA1015	KTA1266
KTC1815	KTC3198
KTC1959	KTC3202
KTC7321MBL	KTC31981MBL
KT8934	KT8989
KTC2236A	KTC3205
KT2058	KT2012
KTA966A	KTA1273



- CN601 TO CD
- AD+5V
 - CLK
 - CD MUTE
 - XLT
 - XRST
 - LMT/CLOSE
 - TRCNT
 - CLOSE
 - OPEN
 - GND

- CN602 TO CD
- SYNC
 - SENS
 - SCOR
 - GFS
 - DATA
 - SUBQ
 - SQCK
 - FOK

- PN603 TO MAIN
- FM ST
 - VKK(-26V)
 - F1
 - F2
 - GND(D)
 - AMUTE
 - SDA
 - SCL
 - PLL CE
 - PLL CLK
 - PLL DI
 - PLL DO

- PN604 TO MAIN
- RDS SIGNAL
 - 5.6V
 - HALL
 - GND(A)
 - MDSS

- PN605 TO MAIN
- MODE/RECR/RECF/HALF
 - PB MUTE
 - REC MUTE
 - REC BIAS
 - CD POWER
 - P-CTRL
 - EQ SIG
 - P-SNS
 - SPEED
 - SOL
 - MOTOR

*RDS OPTION